



## SSMA Male to BNC Male Adapter

### TECHNICAL DATA SHEET

PE9213

#### SSMA Male to BNC Male Adapter

##### Configuration

Connector 1	SSMA Male
Impedance 1	50 Ohms
Connector 2	BNC Male
Impedance 2	50 Ohms
Adapter Design	Standard
Body Style	Straight

##### Mechanical Specifications

###### Size

Length, in [mm]	1.302 [33.07]
Width/Dia., in [mm]	0.57 [14.48]

###### Connector 1

Type	SSMA Male
Inner Conductor Material and Plating	Gold
Coupling Nut Material and Plating	Passivated Stainless Steel
Hex Size, in.	1/4
Torque, in-lbs [Nm]	8 [0.9]
Body Material and Plating	Brass, Nickel
Dielectric Type	PTFE

###### Connector 2

Type	BNC Male
Inner Conductor Material and Plating	Gold
Coupling Nut Material and Plating	Brass, Nickel
Body Material and Plating	Brass, Nickel
Dielectric Type	PTFE

##### Compliance Certifications (visit [www.Pasternack.com](http://www.Pasternack.com) for current document)

RoHS Compliant	Yes
----------------	-----

Click the following link (or enter part number in "SEARCH" on website) to obtain additional part information including price, inventory and certifications: [SSMA Male to BNC Male Adapter PE9213](#)

The information contained in this document is accurate to the best of our knowledge and representative of the part described herein. It may be necessary to make modifications to the part and/or the documentation of the part, in order to implement improvements. Pasternack reserves the right to make such changes as required. Unless otherwise stated, all specifications are nominal.



## SSMA Male to BNC Male Adapter

### TECHNICAL DATA SHEET

PE9213

#### Plotted and Other Data

Notes:

Values at 25 °C, sea level

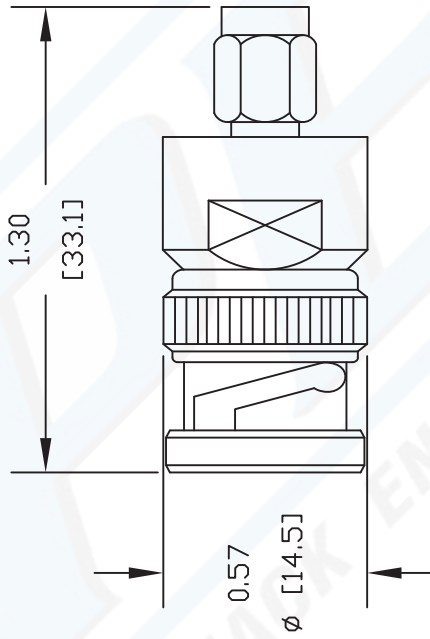
SSMA Male to BNC Male Adapter from Pasternack Enterprises has same day shipment for domestic and International orders. Our RF, microwave and fiber optic products maintain a 99% availability and are part of the broadest selection in the industry.

Click the following link (or enter part number in "SEARCH" on website) to obtain additional part information including price, inventory and certifications: [SSMA Male to BNC Male Adapter PE9213](#)

URL: <http://www.pasternack.com/ssma-male-bnc-male-straight-adapter-pe9213-p.aspx>

The information contained in this document is accurate to the best of our knowledge and representative of the part described herein. It may be necessary to make modifications to the part and/or the documentation of the part, in order to implement improvements. Pasternack reserves the right to make such changes as required. Unless otherwise stated, all specifications are nominal.

**PE9213 CAD Drawing**  
SSMA Male to BNC Male Adapter



**NOTES:**  
 1. UNLESS OTHERWISE SPECIFIED ALL DIMENSIONS ARE NOMINAL.  
 2. ALL SPECIFICATIONS ARE SUBJECT TO CHANGE WITHOUT NOTICE AT ANY TIME.  
 3. DIMENSIONS ARE IN INCHES [mm].

DWG TITLE  
**PE9213**

**PE PASTERNAK®**  
 Pasternack Enterprises, Inc.  
 P.O. Box 16759 | Irvine | CA | 92623  
**Phone:** (949) 261-1920 | **Fax:** (949) 261-7451  
**Website:** www.pasternack.com | **E-Mail:** sales@pasternack.com

REV. -	FSCM NO. 53919	CAD FILE 082902	SCALE N/A	SIZE A	127
--------	----------------	-----------------	-----------	--------	-----