

# TROUGH LINE DESIGN

DC to 1 GHz



## FEATURES

- High power
- Long life
- Wide phase shift range
- SMA connectors

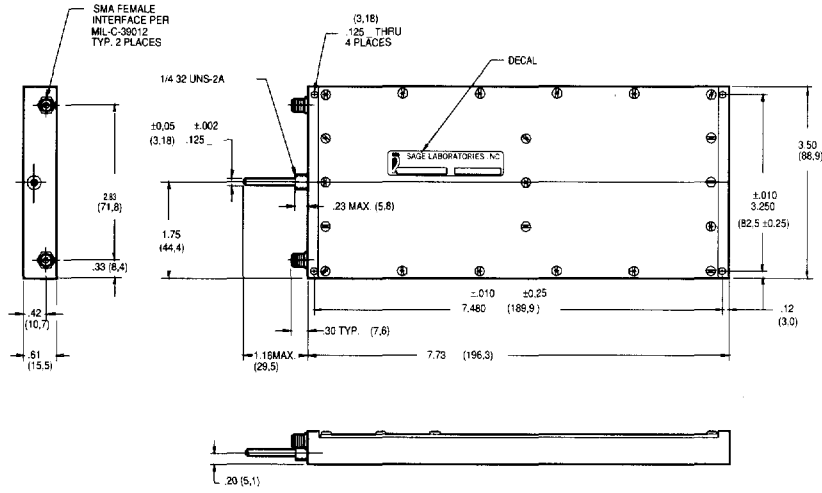


## SPECIFICATIONS

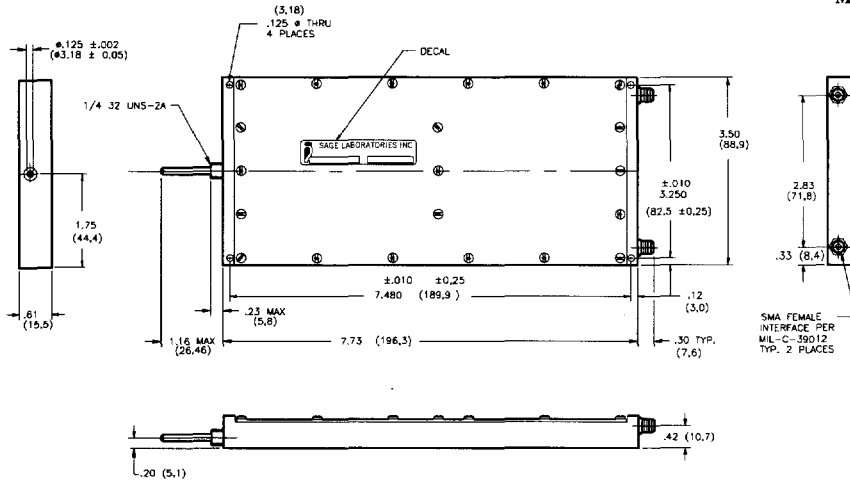
Model	6609	6709	6809
Frequency range (GHz)	DC-1	DC-1	DC-1
Phase shift, min (°/GHz)	940	940	940
Phase shift, min (°/GHz/shaft turn)	9.7	9.7	9.7
Insertion phase nom at min phase setting (°/GHz)	1040	1040	1050
Number of turns, min	96	96	96
VSWR max	1.50	1.50	1.50
Insertion loss, max (dB)	0.7	0.7	0.7
Power			
Average (watts)	100	100	100
Peak (watts)	1000	1000	1000
Time delay range, nom (nsec)	2.9 to 5.6	2.9 to 5.6	2.9 to 5.6
Weight			
Ounces	14.9	14.9	16.8
Grams	422	422	471

# OUTLINE DRAWINGS

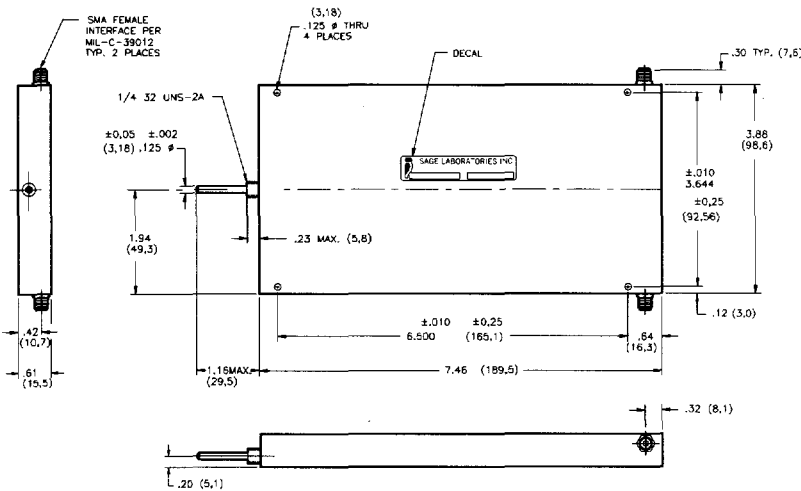
**MODEL 6609**



**MODEL 6709**



**MODEL 6809**



**PHASE SHIFTERS**