

DESCRIPTION

PMI MODEL PVA-500M18G-60-SFF IS A BROAD BAND VARIABLE ATTENUATOR/MODULATOR DESIGNED TO OPERATE OVER THE FULL 0.5 TO 18 GHz FREQUENCY RANGE WITH A RISE AND FALL TIME OF 3 uSec MAXIMUM AND A VSWR OF 2.2:1 MAXIMUM.

REVISIONS				
ZONE	REV.	DESCRIPTION	DATE	APPROVED
	-	PRELIMINARY	10/11/11	

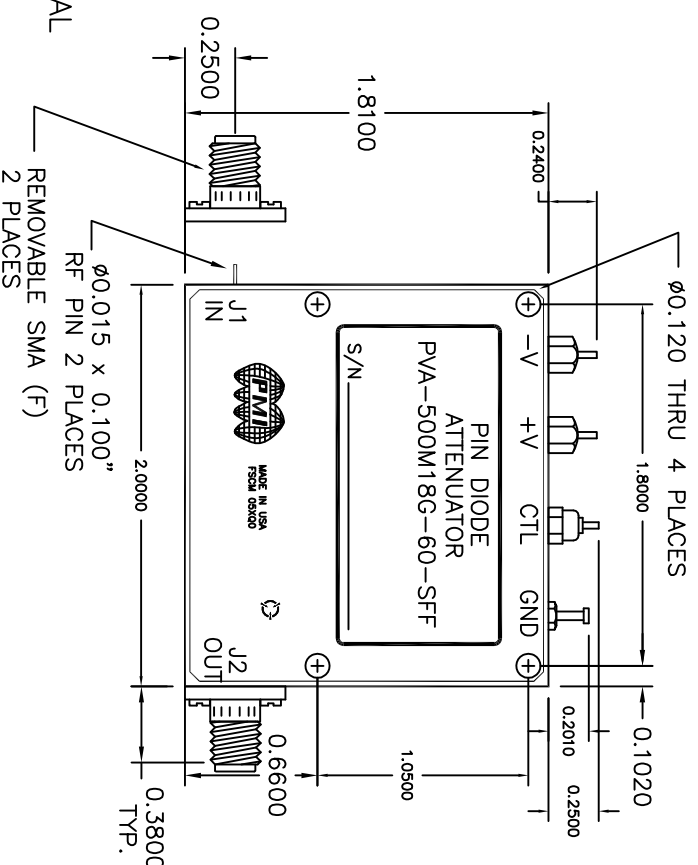
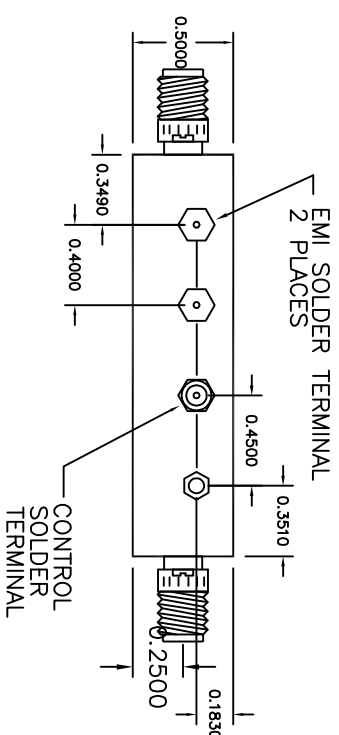
SPECIFICATIONS

- FREQUENCY RANGE:..... 0.5 TO 18 GHz
- INSERTION LOSS (0.5 TO 12 GHz):..... 4.5 dB MAXIMUM
- INSERTION LOSS (12 TO 18 GHz):..... 5.2 dB MAXIMUM
- ATTENUATION FLATNESS:..... 0-30 dB ±1.0 dB MAXIMUM
 30-40 dB ±2.0 dB MAXIMUM
 40-50 dB ±3.0 dB MAXIMUM
 50-60 dB ±5.5 dB MAXIMUM
- ATTENUATION ACCURACY:..... 0-10 dB = ± 2.0 dB MAXIMUM
 10-20 dB = ± 1.0 dB MAXIMUM
 20-40 dB = ± 1.5 dB MAXIMUM
 40-60 dB = ± 2.0 dB MAXIMUM
- RISE AND FALL TIME:..... 3 uSec MAXIMUM
- VSWR:..... 2.2:1 MAXIMUM
- RF POWER RATINGS:..... +20 dBm CW MAXIMUM
 +10 dBm (0.3 GHz OR BELOW)
 +30 dBm CW MAXIMUM
 +27 dBm (0.3 GHz OR BELOW)
- SURVIVAL:..... +10 dB/VOLT ANALOG CONTROLLED
 +12 VDC @ 250 mA MAXIMUM, 210 mA TYPICAL
 -12 VDC @ 50 mA MAXIMUM, 30 mA TYPICAL
- CONNECTORS:..... SMA FEMALE
- RF INPUT/OUTPUT:..... SOLDER PIN CONTROL
- POWER AND CONTROLS:..... 2.00" x 1.81" x 0.50"
 SIZE:.....

ENVIRONMENTAL RATINGS

- TEMPERATURE:..... -55°C TO +95°C (OPERATING)
 -65°C TO +125°C (STORAGE)
- HUMIDITY:..... MIL-STD-202F, METHOD 103B COND. B
- SHOCK:..... MIL-STD-202F, METHOD 213B COND. B
- VIBRATION:..... MIL-STD-202F, METHOD 204D COND. B
- ALTITUDE:..... MIL-STD-202F, METHOD 105C COND. B
- TEMPERATURE CYCLE:..... MIL-STD-202F, METHOD 107D COND. A

NOTE: THE ABOVE SPECIFICATIONS ARE SUBJECT TO CHANGE OR REVISION



PLANAR MONOLITHICS INDUSTRIES, INC.
 7311-F GROVE ROAD
 FREDERICK, MARYLAND 21704 USA
 TEL: 301-662-5019 FAX: 301-662-1731
 WEBSITE: www.pmi-rf.com
 E-MAIL: sales@pmi-rf.com
 ISD 9001:2008 CERTIFIED



APPROVALS		DATE		TITLE	
<i>JM</i>		10/11/11		PRODUCT FEATURE	
DRAWN				PVA-500M18G-60-SFF	
CHECKED				SIZE	FSCM NO.
				A	05X00
ISSUED				DWG NO.	PRELIMINARY
				SCALE	N:S
				SHEET	1 OF 1

ALL DIMENSIONS ARE IN INCHES
 TOLERANCES:
 XXX ±0.010
 XXXX ±0.005