



Low PIM N Male to 7/16 DIN Female Adapter Low VSWR

RF Adapters Technical Data Sheet

PE91032

Features

- PIM levels <-165 dBc
- Low VSWR levels up to 8GHz
- Tri-metal coating provides a durable surface with good corrosion protection abrasion resistance and superior electrical contact properties.
- Available in various connector combinations including 7/16 DIN in-series, Type N in-series, and 7/16 DIN to Type N and SMA between series
- 4-hole flange and bulkhead mount styles available
- Ideal choice for use in portable PIM testing applications

Configuration

Connector 1	N Male
Connector 2	7/16 DIN Female
Impedance	50 Ohms
Adapter Design	Low PIM
Body Style	Straight

Electrical Specifications

Description	Minimum	Typical	Maximum	Units
Frequency Range	DC		8	GHz
VSWR			1.23:1	
Return Loss			20	dB
Passive Intermodulation			-168	dBc
Dielectric Withstanding Voltage (AC)			2,000	Vrms
Group Delay			225	ps

Performance by Frequency

Description	F1	F2	F3	F4	F5	Units
Frequency Range	1	4	8			GHz
VSWR, Max	1.04:1	1.12:1	1.23:1			
Return Loss, Max	36	25	20			dB

Mechanical Specifications

Size	
Length	1.64 in [41.66 mm]
Width	1.142 in [29.01 mm]
Weight	0.19 lbs [86.18 g]

Click the following link (or enter part number in "SEARCH" on website) to obtain additional part information including price, inventory and certifications: [Low PIM N Male to 7/16 DIN Female Adapter Low VSWR PE91032](#)





Low PIM N Male to 7/16 DIN Female Adapter Low VSWR

RF Adapters Technical Data Sheet

PE91032

Description	Connector 1	Connector 2
Type	N Male	7/16 DIN Female
Polarity	Standard	Standard
Interface Specification	MIL-STD-348	IEC 169-4
Mating Cycles	500	500
Hex Size	21 mm	
Mating Torque, Max	15 in-lbs [1.7 Nm]	

Material Specifications

Description	Connector 1		Connector 2	
	Material	Plating	Material	Plating
Type	N Male		7/16 DIN Female	
Contact	Beryllium Copper	Silver 200 [5] μ in. [μ m] minimum	Beryllium Copper	Silver 200 [5] μ in. [μ m] minimum
Outer Conductor	Brass	Tri-Metal 100 [2.54] μ in. [μ m] minimum	Brass	Tri-Metal 100 [2.54] μ in. [μ m] minimum
Body	Brass	Tri-Metal 100 [2.54] μ in. [μ m] minimum	Brass	Tri-Metal 100 [2.54] μ in. [μ m] minimum
Coupling Nut	Brass	Tri-Metal 100 [2.54] μ in. [μ m] minimum		

Environmental Specifications

Temperature

Operating Range

-55 to 155 deg C

Compliance Certifications (visit www.Pasternack.com for current document)

RoHS Compliant

Click the following link (or enter part number in "SEARCH" on website) to obtain additional part information including price, inventory and certifications: [Low PIM N Male to 7/16 DIN Female Adapter Low VSWR PE91032](#)



Low PIM N Male to 7/16 DIN Female Adapter Low VSWR

RF Adapters Technical Data Sheet

PE91032

Plotted and Other Data

Notes:

Low PIM N Male to 7/16 DIN Female Adapter Low VSWR from Pasternack Enterprises has same day shipment for domestic and International orders. Our RF, microwave and millimeter wave products maintain a 99% availability and are part of the broadest selection in the industry.

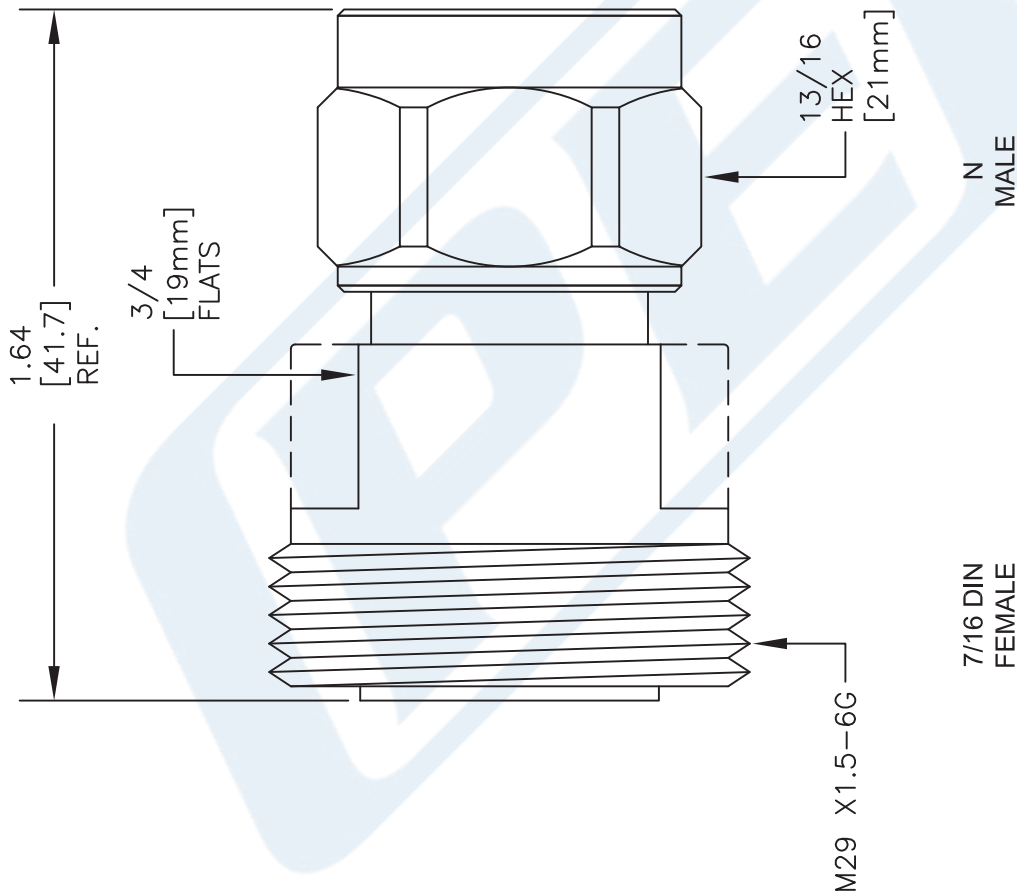
Click the following link (or enter part number in "SEARCH" on website) to obtain additional part information including price, inventory and certifications: [Low PIM N Male to 7/16 DIN Female Adapter Low VSWR PE91032](#)

URL: <http://www.pasternack.com/n-male-7-16-female-straight-adapter-pe91032-p.aspx>

The information contained in this document is accurate to the best of our knowledge and representative of the part described herein. It may be necessary to make modifications to the part and/or the documentation of the part, in order to implement improvements. Pasternack reserves the right to make such changes as required. Unless otherwise stated, all specifications are nominal. Pasternack does not make any representation or warranty regarding the suitability of the part described herein for any particular purpose, and Pasternack does not assume any liability arising out of the use of any part or documentation.

PE91032 CAD Drawing

Low PIM N Male to 7/16 DIN Female Adapter Low VSWR



DWG TITLE

PE91032

NOTES:
1. UNLESS OTHERWISE SPECIFIED ALL DIMENSIONS ARE NOMINAL.
2. ALL SPECIFICATIONS ARE SUBJECT TO CHANGE WITHOUT NOTICE AT ANY TIME.
3. DIMENSIONS ARE IN INCHES [mm].

FSCM NO. 53919

CAD FILE 102615

SCALE N/A

SIZE A

2233



THE ENGINEER'S RF SOURCE

Pasternack Enterprises, Inc.

P.O. Box 16759 | Irvine | CA | 92623

Phone: (949) 261-1920 | Fax: (949) 261-7451

Website: www.pasternack.com | E-Mail: sales@pasternack.com