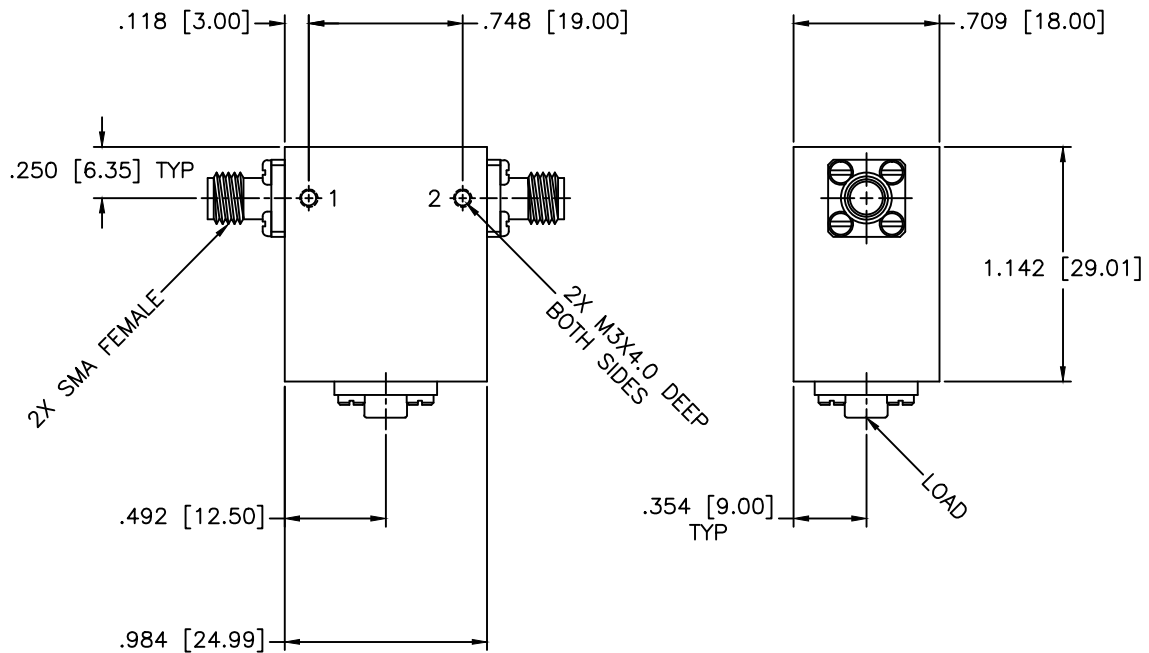


REVISIONS				
ZONE	REV	DESCRIPTION	Date	APPROVED



**SPECIFICATIONS**

Frequency Range: 7–8 GHz  
 Isolation: 21dB Min.  
 Insertion loss: 0.5dB Max.  
 VSWR: 1.35:1 Max.  
 Operating Temperature: -30°C to +70°C

MATERIAL:	
DRAWN: Paiboon Luekhamhan	DATE: 02-09-2016
APPROVED: T. Nguyen	DATE: 02-09-2016



MICROWAVE COMMUNICATIONS LABORATORIES INC.  
 7255 30TH AVE. N. SAINT PETERSBURG, FL 33710  
 TEL: (727) 344-6254 FAX: (727) 381-6116  
 http://WWW.MCLI.COM

SCALE:	N/A
SHEET:	N/A

UNLESS OTHERWISE SPECIFIED:  
 TOLERANCES  
 IN (INCHES) OR [mm] (MILLIMETERS)  
 FRACTIONS: ± 1/64  
 DECIMALS: ±.01 ±.005  
 ANGLE: ±1/2°

DRAWING TITLE:  
**COAXIAL ISOLATOR**

PART NO.  
**IS-179**

CAGE CODE:	SIZE:	REV:	DWG NO.
0D2L5	N/A	N/A	81921
DO NOT SCALE THE DRAWING			

