

300 to 1875MHz – Drop in Circulator

Design Features

- ◆ Can be dual junction even three for high isolation.
- ◆ Military, space and commercial applications.
- ◆ Custom design available upon request.
- ◆ Guaranteed for one year standard.

RF Characteristics

Model Number	Freq. Range (MHz)	Insertion Loss Max(dB)	Isolation Min(dB)	VSWR Max	Forward Power(W)	Reverse Power(W)	Connector Type	Temp.(°C)
UIYDC3538A300T320	300 ~ 320	0.5	20	1.25	300	300	TAB	-20 ~ +65
UIYDC3538A309T339	309 ~ 339	0.5	20	1.25	300	300	TAB	-20 ~ +65
UIYDC3538A350T370	350 ~ 370	0.3	23	1.2	300	300	TAB	-20 ~ +65
UIYDC3538A390T410	390 ~ 410	0.3	23	1.2	300	300	TAB	-30 ~ +70
UIYDC3538A400T470	400 ~ 470	0.5	20	1.25	300	300	TAB	-30 ~ +70
UIYDC3538A440T470	440 ~ 470	0.3	23	1.2	300	300	TAB	-30 ~ +70
UIYDC3538A470T570	470 ~ 570	0.45	19	1.25	300	300	TAB	-20 ~ +65
UIYDC3538A570T670	570 ~ 670	0.4	20	1.25	300	300	TAB	-20 ~ +65
UIYDC3538A600T800	600 ~ 800	0.5	18	1.3	300	300	TAB	-30 ~ +70
UIYDC3538A670T770	670 ~ 770	0.4	20	1.25	300	300	TAB	-20 ~ +65
UIYDC3538A700T900	700 ~ 900	0.4	20	1.25	300	300	TAB	-30 ~ +70
UIYDC3538A700T1000	700 ~ 1000	0.8	16	1.4	300	300	TAB	-20 ~ +65
UIYDC3538A770T860	770 ~ 860	0.35	23	1.2	300	300	TAB	-20 ~ +65
UIYDC3538A860T872	860 ~ 872	0.3	30	1.15	300	300	TAB	-30 ~ +70
UIYDC3538A900T930	900 ~ 930	0.3	30	1.15	300	300	TAB	-30 ~ +70
UIYDC3538A1000T1300	1000 ~ 1300	0.4	20	1.25	300	300	TAB	-30 ~ +70
UIYDC3538A1296T1298	1296 ~ 1298	0.3	25	1.15	300	300	TAB	-30 ~ +70
UIYDC3538A1500T1800	1500 ~ 1800	0.4	20	1.25	300	300	TAB	-30 ~ +70

² List are specify frequency range and other ranges available.

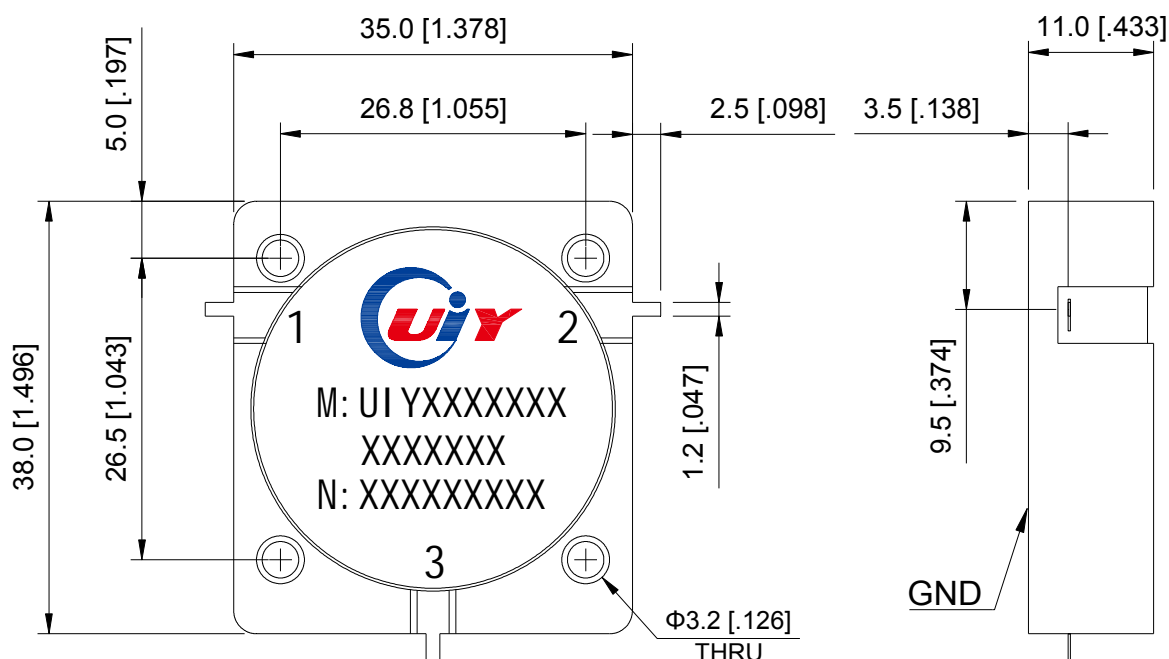
² Please enter below information when inquiry and mark * is must.

* 1. The specific frequency range

* 2. Power handling (Forward, Reverse, Peak, etc.)

3. Other special request if have (Insertion Loss, Isolation, VSWR, Temperature, Dimension, etc.)

Mechanical Drawing



Unit: mm/ inch, General part tolerance is ± 0.2 mm unless otherwise stated.

Ver. 5

A2-5G, Zhujiang Plaza, Longxiang Blvd, Longgang District, Shenzhen 518172, China.

Tel: +86-755-25999990 25999909 Fax: +86-755-25999959 E-mail: sales@uiy.com Web: www.uiy.com