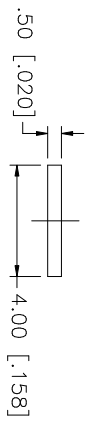
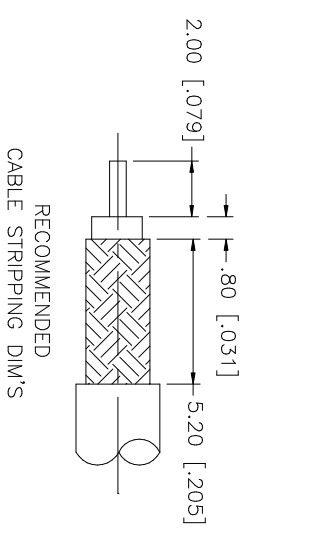
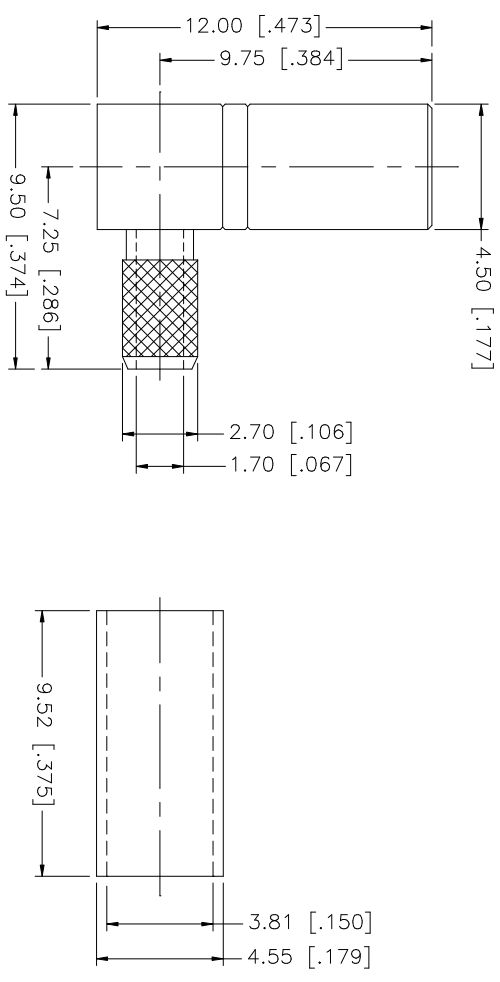


REV.	DATE	DESCRIPTION
NC	03/20/03	INITIAL RELEASE



NOTES:

1. CRIMPED FERRULE
HEX CRIMP SIZE .151"
2. CRIMPED CONTACT PIN TO SOLDER

QTY	FINISH	MATERIAL	DESCRIPTION
1	GOLD	COPPER	FERRULE
1	GOLD	BRASS	COVER
1	GOLD	BRASS	SHELL
1	NATURAL	TEFLON	INSULATOR
1	GOLD	BER, COPPER	CONTACT PIN
1	GOLD	BRASS	HOUSING/BODY

APPROVALS	DATE
DRAWN G.R.S.	03/20/03
CHECKED	
ISSUED	

DO NOT SCALE DRAWING	CAD FILE	DWG. NO.	REV.	NC	SIZE	SCALE
UNLESS OTHERWISE SPECIFIED DIMENSIONS ARE IN MILLIMETERS. DIMENSIONS IN [] ARE IN INCHES AND FOR CUSTOMER REFERENCE ONLY. UNLESS OTHERWISE SPECIFIED TOLERANCES FOR MILLIMETERS ARE: 0.5 - 8mm ± 0.20mm 8 - 30mm ± 0.40mm 30 - 120mm ± 0.50mm UNLESS OTHERWISE SPECIFIED TOLERANCES FOR INCHES ARE: .020 - .315 = ± 0.007" .315 - 1.180 = ± 0.015" 1.180 - 4.724 = ± 0.020"	C:/143/143103.DWG	143103.DWG	NC		A	NA

PART DESCRIPTION	PART NO.
SSMB R/A CRIMP PLUG (FOR RG-316/U DOUBLE BRAID CABLE)	143103

Amphenol	Connex
----------	--------