

ATTENUATORS

2.4mm, up to 50 GHz, 0.5 Watts

SPECIFICATIONS:

Models: 40 EH-XX & 50EH-XX

RoHS
Compliant

AEROFLEX
A passion for performance.

Electrical:

Frequency Range _____ DC - 50 GHz

Standard Freq. Values _____ 40 & 50 GHz

*Standard dB Values _____ 0, 3, 6, 10, 20 & 30 dB

Attenuation Accuracy DC - 26.5 GHz _____ 26.5 - 40 GHz _____ 40 - 50 GHz _____

0, 3, 6 & 10 dB _____ ± 0.5 dB _____ ± 1.0 dB _____ ± 1.5 dB

20 & 30 dB _____ ± 0.75 dB _____ ± 1.25 dB _____ ± 2.0 dB

VSWR

DC - 26.5 GHz _____ 1.35:1 Max.

26.5 - 40 GHz _____ 1.60:1 Max.

40 - 50 GHz _____ 1.75:1 Max.

Input Power _____ 0.5 Watts Avg. @ +25°C

Derated Linearly to 0.1 Watts @ +125°C

Impedance _____ 50 Ohms

Operating Temp Range _____ -45°C to +85°C

Mechanical:

2.4mm Connectors _____ Gold Plated Beryllium Copper
(Mates with 1.85mm & V* Connectors)

Conductors _____ Gold Plated Beryllium Copper

Barrel & Coupling Nut** _____ Passivated Stainless Steel

** For a Gold Plated Barrel & Coupling Nut add /AU to the Model Number

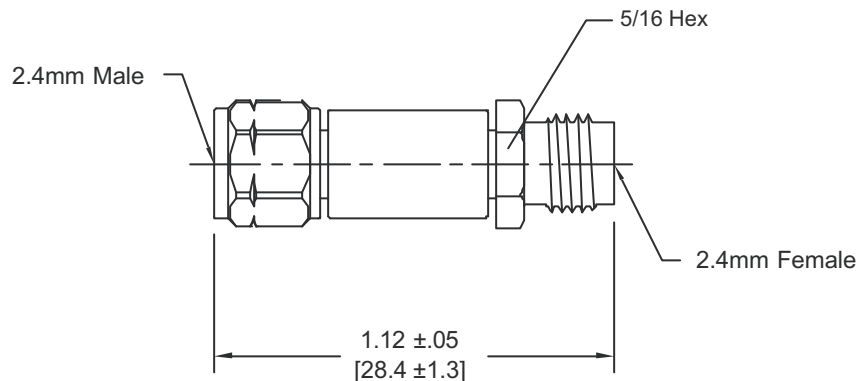
*V is a trademark of Anritsu Corp.

Model Number: **40EH-XX**

Frequency Range: DC - 40 GHz

Model Number: **50EH-XX**

Frequency Range: DC - 50 GHz



HOW TO ORDER:

Model Number: **XXEH-XX/FF**

Freq. Range
40 = DC - 40 GHz
50 = DC - 50 GHz

Finish
= Passivated Barrel & Coupling Nut
/AU = Gold Plated Barrel & Coupling Nut
dB Value

Ordering Examples:

Model Number: **50EH-10**
DC - 50 GHz, 10dB

Model Number: **40EH-6**
DC - 40 GHz, 6dB

Note: Dimensions in Brackets are Expressed in Millimeters and are for Reference Only.
Design, specifications are subject to change without notice. Contact factory for technical specifications before purchasing or use.

50EH-ATT: REV J

AEROFLEX
INMET

Aeroflex / Inmet, Inc. 300 Dino Drive, Ann Arbor, MI 48103 • U.S.A.
888-244-6638 or 734-426-5553 • FAX: 734-426-5557
www.aeroflex.com/inmet • inmet-sales@eroflex.com