

410 to 3500MHz – Drop in Circulator

Design Features

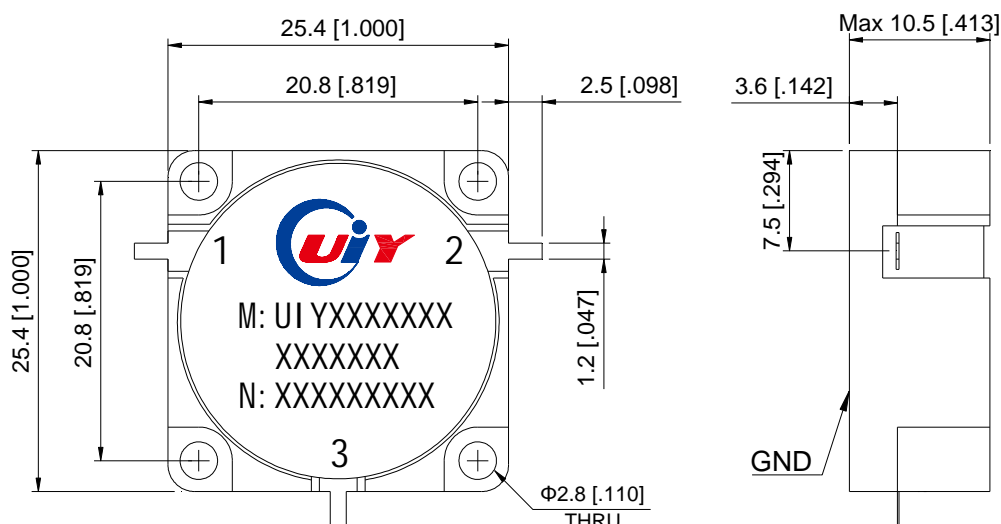
- ◆ Can be dual junction even three for high isolation.
- ◆ Military, space and commercial applications.
- ◆ Custom design available upon request.
- ◆ Guaranteed for one year standard.

RF Characteristics

Model Number	Freq. Range (MHz)	Insertion Loss Max(dB)	Isolation Min(dB)	VSWR Max	Forward Power(W)	Reverse Power(W)	Connector Type	Temp.(°C)
UIYDC2525A410T420	410 ~ 420	0.5	20	1.25	200	200	TAB	-20 ~ +65
UIYDC2525A430T440	430 ~ 440	0.5	20	1.25	200	200	TAB	-20 ~ +65
UIYDC2525A490T510	490 ~ 510	0.5	20	1.25	200	200	TAB	-20 ~ +65
UIYDC2525A600T640	600 ~ 640	0.4	20	1.25	200	200	TAB	-20 ~ +65
UIYDC2525A700T750	700 ~ 750	0.3	23	1.2	200	200	TAB	-30 ~ +70
UIYDC2525A700T800	700 ~ 800	0.4	20	1.25	200	200	TAB	-30 ~ +70
UIYDC2525A800T1000	800 ~ 1000	0.6	18	1.3	200	200	TAB	-30 ~ +70
UIYDC2525A860T960	860 ~ 960	0.35	20	1.25	200	200	TAB	-30 ~ +70
UIYDC2525A869T894	869 ~ 894	0.3	23	1.2	200	200	TAB	-30 ~ +70
UIYDC2525A925T960	925 ~ 960	0.3	23	1.2	200	200	TAB	-30 ~ +70
UIYDC2525A1200T1300	1200 ~ 1300	0.35	21	1.2	200	200	TAB	-40 ~ +85
UIYDC2525A1400T1600	1400 ~ 1600	0.35	21	1.25	200	200	TAB	-30 ~ +70
UIYDC2525A1500T1700	1500 ~ 1700	0.35	21	1.25	200	200	TAB	-30 ~ +70
UIYDC2525A1700T1900	1700 ~ 1900	0.35	21	1.25	200	200	TAB	-30 ~ +70
UIYDC2525A1710T2170	1710 ~ 2170	0.5	18	1.3	200	200	TAB	-30 ~ +70
UIYDC2525A1900T2200	1900 ~ 2200	0.35	21	1.25	200	200	TAB	-30 ~ +70
UIYDC2525A2000T2500	2000 ~ 2500	0.5	20	1.25	200	200	TAB	-30 ~ +70
UIYDC2525A2300T2500	2300 ~ 2500	0.3	23	1.2	200	200	TAB	-40 ~ +85
UIYDC2525A2300T2700	2300 ~ 2700	0.4	20	1.25	200	200	TAB	-30 ~ +70
UIYDC2525A2400T2600	2400 ~ 2600	0.3	23	1.2	200	200	TAB	-30 ~ +70
UIYDC2525A2500T2700	2500 ~ 2700	0.3	23	1.2	200	200	TAB	-40 ~ +85
UIYDC2525A2700T3100	2700 ~ 3100	0.4	20	1.25	200	200	TAB	-30 ~ +70
UIYDC2525A3150T3250	3150 ~ 3250	0.3	23	1.2	200	200	TAB	-40 ~ +85

- 2 List are specify frequency range and other ranges available.
 2 Please enter below information when inquiry and mark * is must.
 * 1. The specific frequency range
 * 2. Power handling (Forward, Reverse, Peak, etc.)
 * 3. Other special request if have (Insertion Loss, Isolation, VSWR, Temperature, Dimension, etc.)

Mechanical Drawing



Unit: mm/ inch, General part tolerance is ± 0.2 mm unless otherwise stated.

Ver. 5

A2-5G, Zhujiang Plaza, Longxiang Blvd, Longgang District, Shenzhen 518172, China.

Tel: +86-755-25999990 25999909 Fax: +86-755-25999959 E-mail: sales@uiy.com Web: www.uiy.com