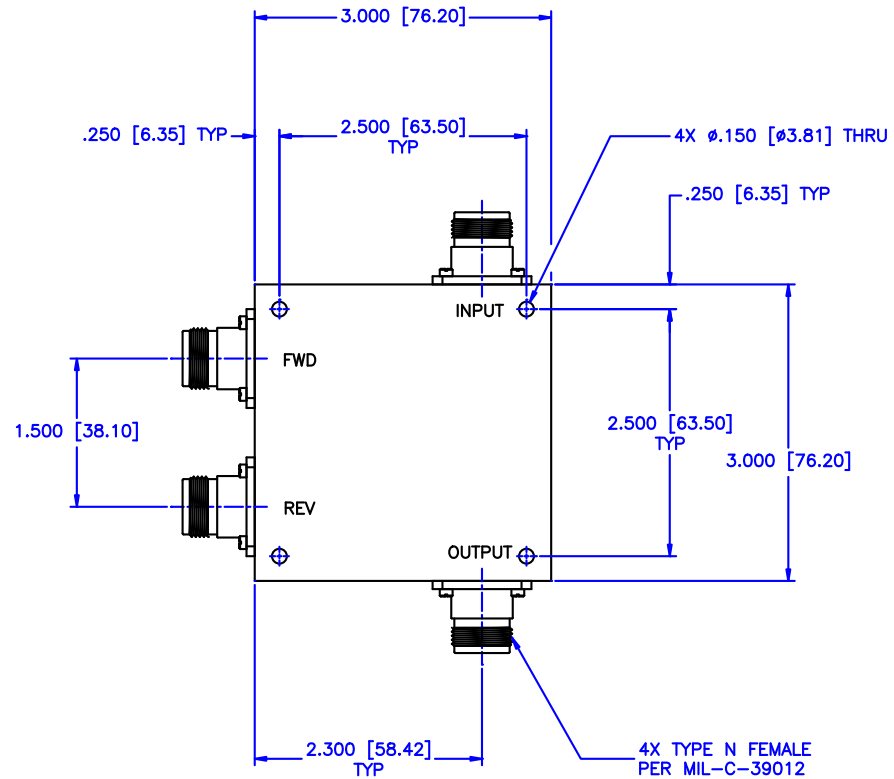
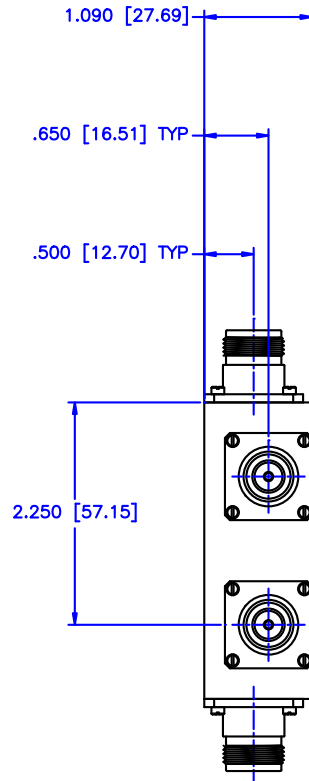


REVISIONS				
ZONE	REV	DESCRIPTION	DATE	APPROVED



**SPECIFICATIONS**

- FREQUENCY RANGE: 300 to 330 MHz
- COUPLING: 40dB ±1.0dB Nom.
- INSERTION LOSS: 0.20dB Max.
- DIRECTIVITY: 30dB Min.
- VSWR (M): 1.20:1 Max.
- FLATNESS: ±0.30 dB Max.
- POWER HANDLING: 300 Watts CW

MATERIAL:		<b>MCLI</b> MICROWAVE COMMUNICATIONS LABORATORIES INC. 7255 30TH AVE. N. SAINT PETERSBURG, FL 33710 TEL: (727) 344-6254 FAX: (727) 381-6116 http://WWW.MCLI.COM	SCALE: N/A
DRAWN: Paiboon Luekhamhan			SHEET: N/A
DATE: 10-12-2011		UNLESS OTHERWISE SPECIFIED: TOLERANCES IN (INCHES) OR [mm] (MILLIMETERS) FRACTIONS: ± 1/64 DECIMALS: ±.01 ±.005 ANGLE: ±1/2°	DRAWING TITLE: <b>HIGH POWER DUAL DIRECTIONAL COUPLER</b>
APPROVED: T. Nguyen		DATE: 10-12-2011	PART NO.: <b>HDL-63-40</b>
THIRD ANGLE PROJECTION		CAGE CODE: OD2L5	SIZE: C REV: N/A DWG NO.: 85912
		DO NOT SCALE THE DRAWING	