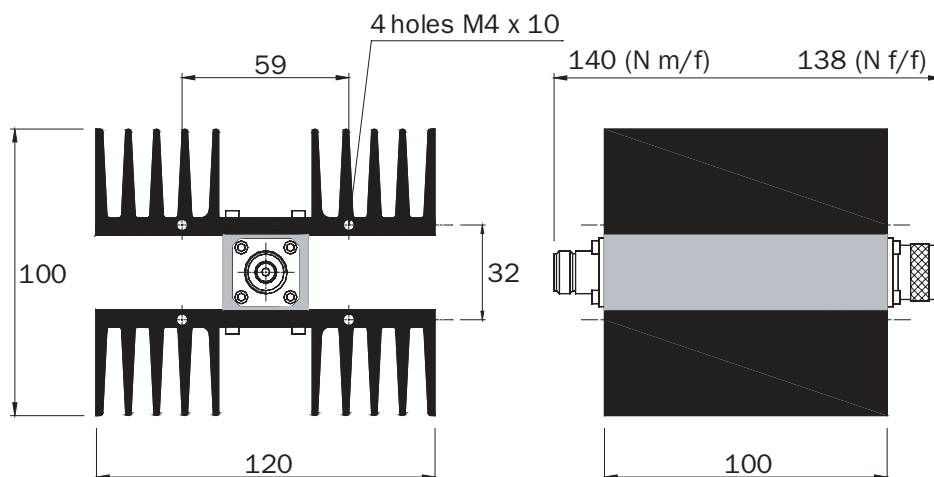
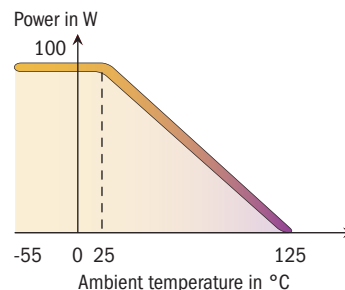




Standards  
NF C 96-315  
MIL-DTL-3933



Impedance 50 Ω ± 5%  
 Frequency DC - 2.5 GHz  
 Max VSWR ≤ 1.20 at 1 GHz, ≤ 1.30 at 2 GHz  
 Temperature range -55 to +125°C  
 Average power @ 25°C 100 W  
 Weight 1.1 kg



Dimensions in mm

Attenuation (dB)	P/N (N m/f)	P/N (N f/f)	Accuracy* ±Δα (dB)
3	16-3762	16-5004	0.3
4	16-5255	16-0036	0.3
6	16-3763	16-5005	0.3
10	16-3764	16-3500	0.5
20	16-3765	16-5006	0.5
30	16-4256	16-4255	1
30 (at 1 GHz)	16-5378	16-4312	0.4
40	16-4278	16-5007	1

\* at 2 GHz

Model available with 7-16 connector  
 Others attenuations on request