

PRODUCTION RELEASE

NOTE:
THIS DRAWING INCORPORATES
THIRD ANGLE PROJECTION
INTERPRET IN ACCORDANCE WITH ASME Y14.5-1995

REVISIONS		APPROVED
REV	DESCRIPTION	
A	RELEASED	10/07/2010 D. Saunders

ELECTRICAL

FREQUENCY RANGE DC- 18GHz

ATTENUATION ACCURACY DC-18GHz

0 - 6 dB	±0.30 dB
7 - 20 dB	±0.50 dB
30 dB	±0.75 dB
40 dB	±2.00 dB

VSWR

DC - 4 GHz	1.15:1 MAX
4 - 8 GHz	1.20:1 MAX
8 - 12.4 GHz	1.25:1 MAX
12.4 - 18 GHz	1.35:1 MAX

INPUT POWER 2 WATTS AVG. @ 25°C
DERATES LINEARLY TO 10% @ 125°C FROM 25°C

PEAK POWER 500 WATTS
(5µSec PULSE WIDTH, .05% DUTY CYCLE)

IMPEDANCE 50 OHMS

OPERATING TEMP RANGE -65°C TO +125°C

CONFORMANCE TESTING IS 100% ATTENUATION AND V.S.W.R. ACROSS SWEEPED FREQUENCY RANGE AT 20-25°C

MECHANICAL

CONNECTOR BODIES PASSIVATED STAINLESS STEEL

COUPLING NUT PASSIVATED STAINLESS STEEL

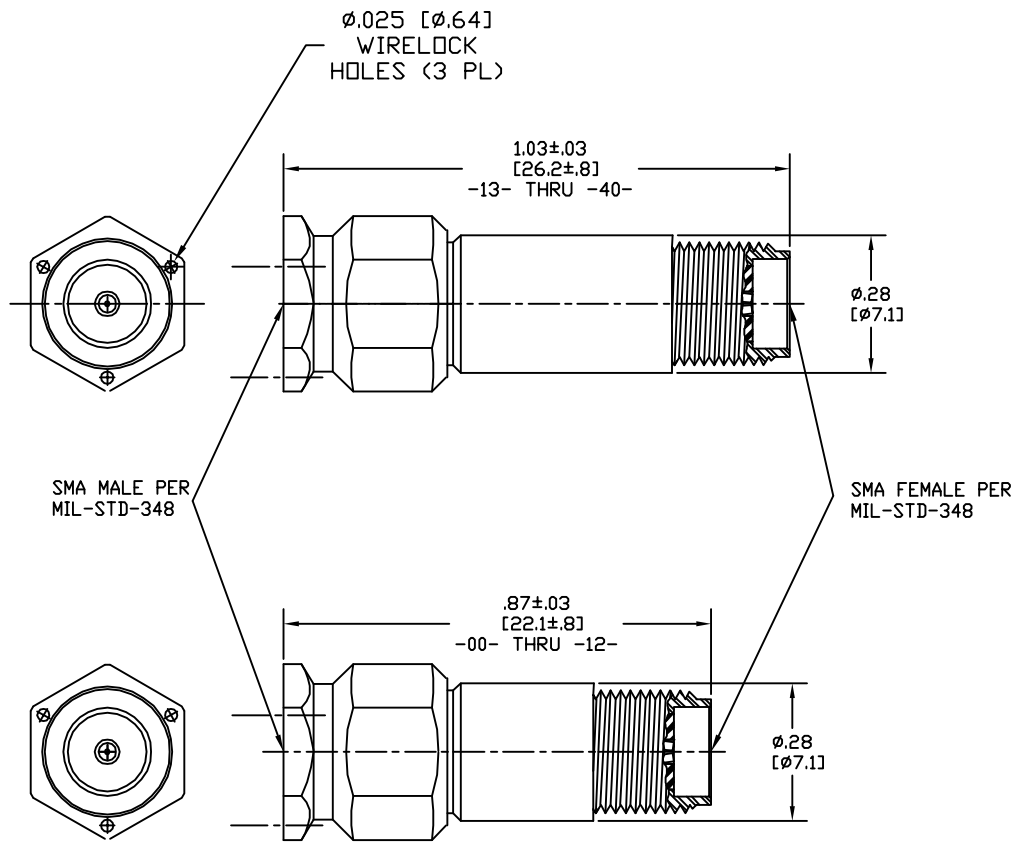
CENTER CONDUCTORS GOLD PLATED BERYLLIUM COPPER

INSULATORS PTFE (TEFLON) IAW ASTM-D1710

RESISTIVE ELEMENT THIN FILM ON CERAMIC RESISTIVE CIRCUIT

NOT A HERMETIC SEALED UNIT

RECOMMENDED CONNECTION TORQUE IS 7-8 in./Lbs. (0.8 to 0.9 Nm)



RoHS DEVICE

DRAWING PRACTICES PER ANSI Y14.5-1995 MIL-STD-100 & 100B		UNLESS OTHERWISE SPECIFIED TOLERANCES IN DECIMALS INCH MM		DRAWN BY DATE	
DIMENSIONS ARE IN INCHES AND APPLY BEFORE/AFTER PROCESSING		.XX	.03" [.76]	D. SAUNDERS	01/14/2010
SURFACE ROUGHNESS 63		.XXX	.010" [.25]	CHECKED	DATE
FINISH SEE NOTES		.XXXX	.005 [.127]	E.M.C.	DATE
MATERIAL SEE NOTES		.XXXXX	.0005" [.013]	D. SAUNDERS	01/14/2010
		ANGLES 20°/30°		THESE DRAWINGS AND SPECIFICATIONS ARE THE PROPERTY OF XMA CORP / OMNISPECTRA AND SHALL NOT BE REPRODUCED, COPIED, FOR REUSE, IN WHOLE OR IN PART, AS A BASIS FOR THE DESIGN, MANUFACTURE OR SALE OF OTHER ITEMS WITHOUT THE EXPRESS WRITTEN PERMISSION OF XMA CORP. CUSTOMERS AND VENDORS MAY COPY FOR INTERNAL REVIEW USE AS WETTED	

WWW.XMACORP.COM Sales@XMACORP.COM

XMA Powered by: **Omni Spectra®**

XMA Corp. 150 Dow St. Manchester, NH 03045 (603) 222-2256 fax 222-2259

TITLE
WIRELOCK COUPLING NUT
2082-6040-Db REF.

SIZE C CAGE CODE 3HT76 DWG NO. 2082-WL40-DB

SCALE 5:1 PLAT NO. SHEET 1 OF 1