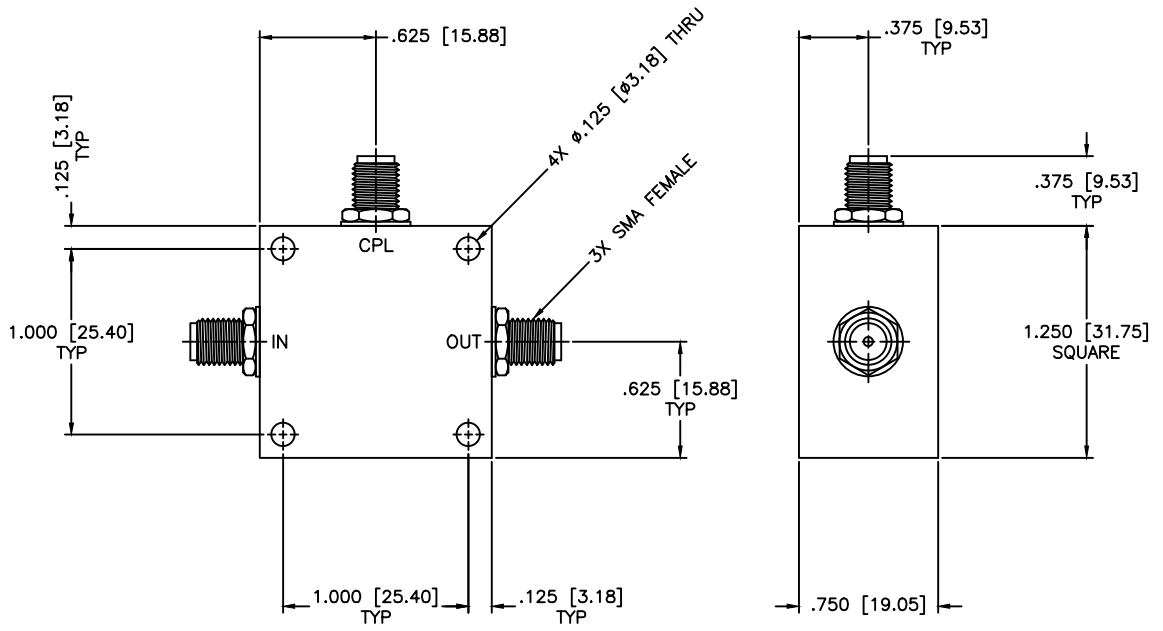


REVISIONS				
ZONE	REV	DESCRIPTION	DATE	APPROVED



SPECIFICATIONS

- Frequency Range: 5–1000 MHz
- Coupling: 10±0.5dB
- Insertion Loss: 1.6dB Max.
- Flatness: ±0.5dB
- Directivity: 23dB Min.
- VSWR: 1.30:1 Max.
- Operating Temperature: -55°C to +85°C

MATERIAL:		MCLI MICROWAVE COMMUNICATIONS LABORATORIES INC. 7255 30TH AVE. N. SAINT PETERSBURG, FL 33710 TEL: (727) 344-6254 FAX: (727) 381-6116 http://WWW.MCLI.COM	SCALE:	N/A
			SHEET:	N/A
UNLESS OTHERWISE SPECIFIED: TOLERANCES IN (INCHES) OR [mm] (MILLIMETERS) FRACTIONS: ± 1/64 DECIMALS: ±.01 ±.005 ANGLE: ±1/2°		DRAWING TITLE:	DIRECTIONAL COUPLER	
DRAWN: Paiboon luekhamhan		DATE: 10-04-1999	PART NO. CL5-10	
APPROVED: T. Nguyen		DATE: 10-04-1999	CAGE CODE: OD2L5	SIZE: A
THIRD ANGLE PROJECTION		REV: N/A		DWG NO. 81424
DO NOT SCALE THE DRAWING				