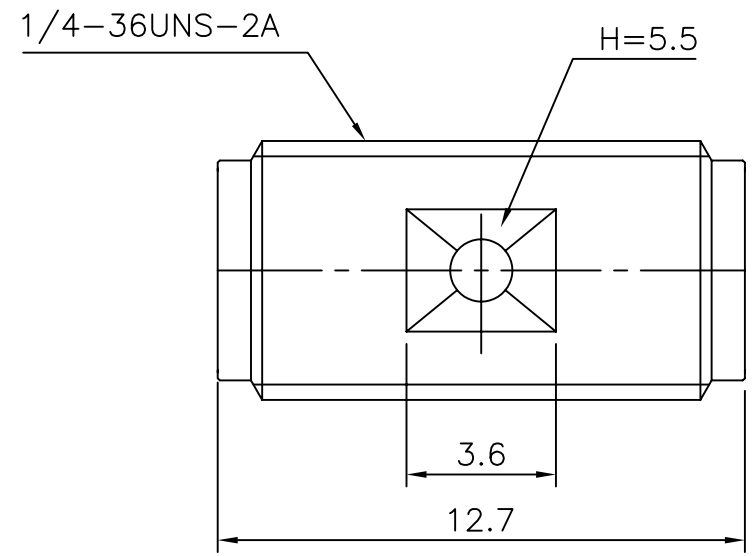


4	5	6
No.	Revision	Date
△		
△		

RoHS Compliant



D
C
B
A

Item	Materials	Plating
Body	Stainless steel	Passivated
Center contact	Beryllium copper	Gold Plated
Insulator	PTFE	-

SMA-FEED THRU
FEMALE to FEMALE Adaptor
(Epoxy Captivated)

VSWR ; DC~6 GHz : ≤ 1.12(-25dB)
VSWR ; ~18 GHz : ≤ 1.21(-20dB)

CUSTOMER

NO.	DESCRIPTION	Q'TY	MATERIAL	FINISH	REMARKS.
PARTS No.	1S-803S-9070	NAME	SMA-FT JJ ADAP.		APPROVED
MATERIAL	FINISH	TOLERANCES OTHERWISE SPEC. ±0.05		ANGLES ±1°	CHECKED
SCALE		UNIT	mm		DESIGNED S.J.LEE
DWG NO.		1S-803S-9070			DATE. 03/APR/2009

CROSS RF
web: www.crossrf.com