

# DH ATTENUATORS

## SMA, DC - 23 GHz, 2 Watts



### SPECIFICATIONS:

Models: 23 DH-XX

**RoHS**  
Compliant

#### Electrical:

Frequency Range \_\_\_\_\_ DC - 23 GHz  
Standard dB Values \_\_\_\_\_ 0 - 10, 12, 15, 20 & 30 dB  
In 1 dB Increments

Attenuation Accuracy: DC-18 GHz 18-23 GHz  
0 - 6 dB \_\_\_\_\_ ±0.3 dB \_\_\_\_\_ ±0.4 dB  
7 - 19 dB \_\_\_\_\_ ±0.5 dB \_\_\_\_\_ ±0.6 dB  
20 - 30 dB \_\_\_\_\_ ±0.75 dB \_\_\_\_\_ ±0.8 dB

#### VSWR:

DC - 4 GHz \_\_\_\_\_ 1.15:1 Max.  
4 - 8 GHz \_\_\_\_\_ 1.20:1 Max.  
8 - 12.4 GHz \_\_\_\_\_ 1.25:1 Max.  
12.4 - 18 GHz \_\_\_\_\_ 1.35:1 Max.  
18 - 23 GHz \_\_\_\_\_ 1.40:1 Max.

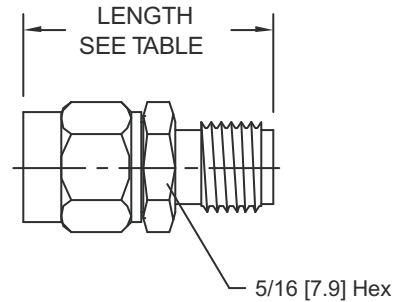
Input Power \_\_\_\_\_ 2 Watts Avg. @ 25°C  
DERATED LINEARLY TO 0.5 WATTS @ +125°C

Peak Power \_\_\_\_\_ 250 Watts Max.  
(5uSec Pulse, .05% Duty Cycle)

Impedance \_\_\_\_\_ 50 Ohms  
Operating Temp. Range \_\_\_\_\_ -65°C to +125°C

#### Mechanical:

SMA Connectors \_\_\_\_\_ Passivated Stainless Steel  
Mates with MIL-STD-348  
Conductors \_\_\_\_\_ Gold Plated Beryllium Copper



Note: Connectors are Epoxy Sealed

Connector Configuration	LENGTH			
	0 - 20 dB		21 - 30 dB	
	Inches	Millimeters	Inches	Millimeters
Male/Female	.70 ±.03	[17.8 ±0.8]	.83 ±.03	[21.1 ±0.8]
Male/Male	.76 ±.03	[19.3 ±0.8]	.89 ±.03	[22.6 ±0.8]
Female/Female	.64 ±.03	[16.3 ±0.8]	.77 ±.03	[19.6 ±0.8]

### HOW TO ORDER:

Model Number: **23DH-XXY**

Connector Configuration  
= Male/Female  
F = Fem/Fem  
M = Male/Male  
dB Value

### Ordering Examples:

Model Number: **23DH-20**  
DC - 23 GHz; 20 dB; SMA-Male/Fem

Model Number: **23DH-6F**  
DC - 23 GHz; 6 dB; SMA-Fem/Fem

Model Number: **23DH-3M**  
DC - 23 GHz; 3 dB; SMA-Male/Male

Note: Dimensions in Brackets are Expressed in Millimeters and are for Reference Only.  
Design specifications are subject to change without notice.  
Contact factory for technical specifications before purchasing or use.

23DH-ATT: REV M



Aeroflex / Inmet, Inc. 300 Dino Drive, Ann Arbor, MI 48103 • U.S.A.  
888-244-6638 or 734-426-5553 • FAX: 734-426-5557  
[www.aeroflex.com/inmet](http://www.aeroflex.com/inmet) • [inmet@aeroflex.com](mailto:inmet@aeroflex.com)