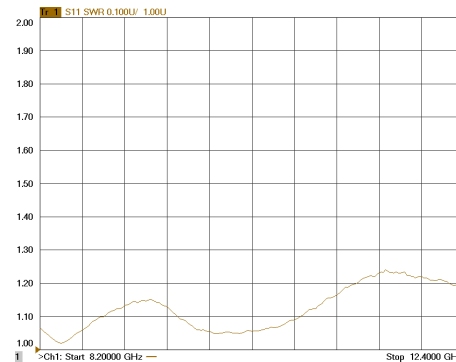
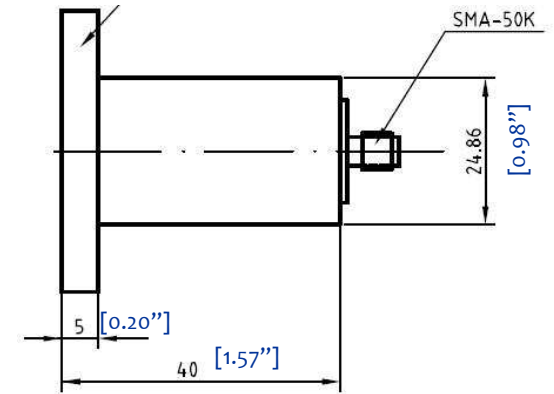
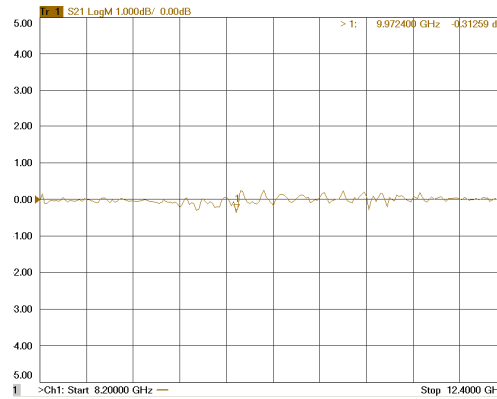
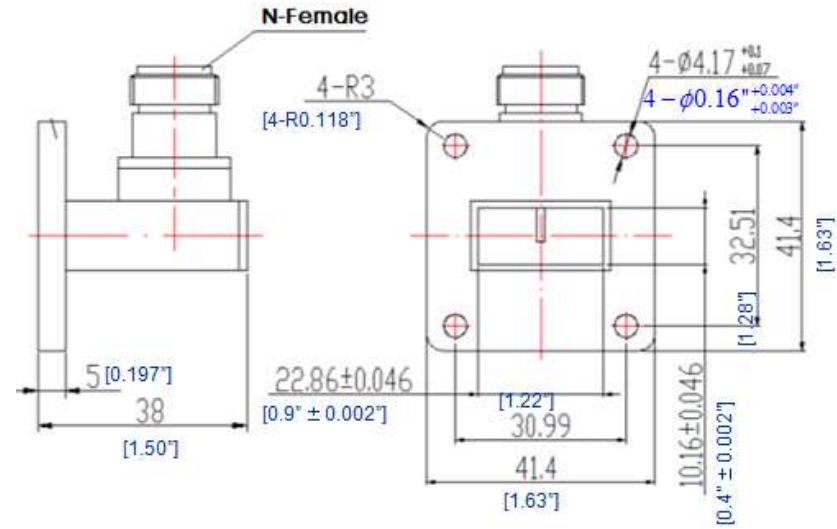


WAVEGUIDE TO COAXIAL ADAPTER -- RFWA90

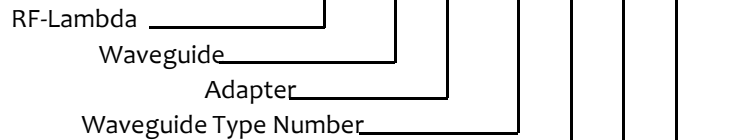
1.0 Mechanical Specifications		
1.1	Waveguide type	Rectangular Waveguide WR90
1.2	Flange type	UBR100 as shown CPRG, CPRF, COVER, CHOKE available
1.3	Flange Holes	Through
1.4	Basis-material	Alloyed Cuprum or (Aluminum, Brass, Stainless)
1.5	Coaxial Connector	SMA, N, TNC (Male or Female)
1.6	Internal Body Finish	Silver Plated chromate or conversion
1.7	External Body Finish	Body painted with gray/black epoxy enamel

2.0 Environment specifications		
2.1	Operation Temp.	-40°C~+85°C
2.2	Storage Temp.	-50°C~+125°C
2.3	Altitude	45000 ft
2.4	Vibration	10g rms (15 degree 2KHz)
2.5	Humidity	100% RH at 35c, 95%RH at 40 deg c
2.6	Shock	20G for 11msc

3.0 Electrical Specifications		
3.1	Frequency	8.20 ~ 12.4GHz
3.2	.VSWR	1.20:1 mas.



Part Number: **RF W A 90 A o CE AL**




Connector Type: A=SMA, B=N, C=TNC, D=7/16

Degree: 9=90° or 0=0°

Flange Type: CG=CPRG; CF=CPRF; CO=COVER; CK=CHOKE

Material: AL=Aluminum; BS=Brass; AC=Alloyed Cuprum; SS=Stainless

PAGE	OF	1	DATE	Nov 5 th 2004
PROPRIETARY INFORMATION THE INFORMATION CONTAINED IN THIS DOCUMENT IS THE PROPERTY OF RF-LAMBDA EXCEPT AS SPECIFICALLY AUTHORIZED IN WRITING BY RF-LAMBDA. THE HOLDER OF THIS DOCUMENT SHALL KEEP ALL INFORMATION CONTAINED HEREIN CONFIDENTIAL AND SHALL PROTECT SAME IN THE WHOLE OR IN PART FROM DISCLOSURE AND DISSEMINATION OF ALL THIRD PARTIES AND SHALL USE SAME FOR OPERATING AND MAINTENANCE PURPOSES ONLY.			DESIGN	RFPC
 RFWA90 WAVEGUIDE TO COAXIAL ADAPTER			RF-LAMBDA	RFPC
www.rflambda.com			CAD MODEL REVISION	19
			ASSEMBLY REVISION	V552
			ASSEMBLY NAME	RFLVR17
			DRAWING NUMBER	D05:1
RF-LAMBDA			SIZE	SHEETS
			LT	1 OF 1