

50 Watt Termination Load

RFLOAD-NM50

Low PIM

Low VSWR

Other Configurations Available

50 Ohms Impedance

RoHS Compliant



GENERAL SPECIFICATIONS

Device Type	Termination Load
Interface	N Male
Color	Black
Weight.....	0.95 lb
Dimensions.....	4.29" L x 2.36" W x 2.36" H

ELECTRICAL SPECIFICATIONS

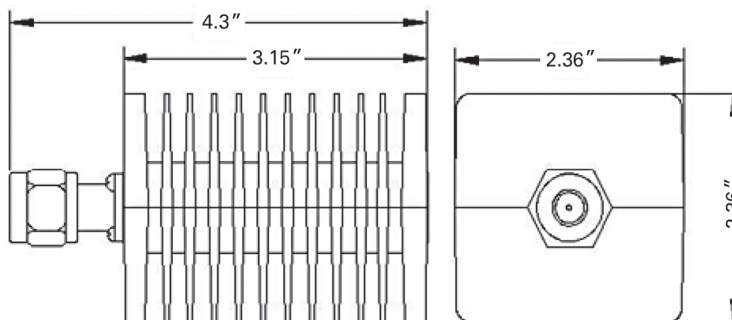
Frequency	DC-3000 Mhz
Intermodulation	< -110 dBc
Average Power	50 Watt
Impedance	50Ω
Peak Power	500 Watt
VSWR.....	≤1.20

MECHANICAL SPECIFICATIONS

Inner Contact Plating	Silver
Outer Plating.....	White Bronze (Tri-Metal)

ENVIRONMENTAL SPECIFICATIONS

Operating Temperature.....	-67°F ~ +185°F
Regulatory Compliance.....	RoHS



RF Industries

(NASDAQ: RFIL)

7610 Miramar Road
San Diego, CA 92126
(800) 233-1728
(858) 549-6340
Fax: (858) 549-6345
rfi@rfindustries.com
www.rfindustries.com