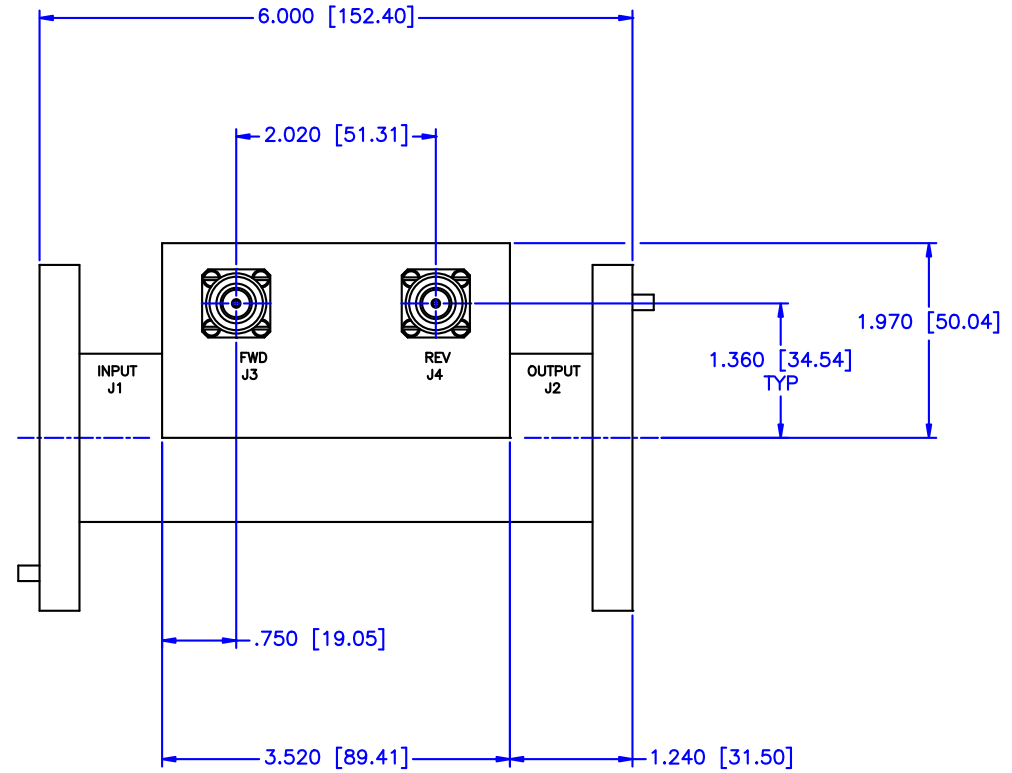
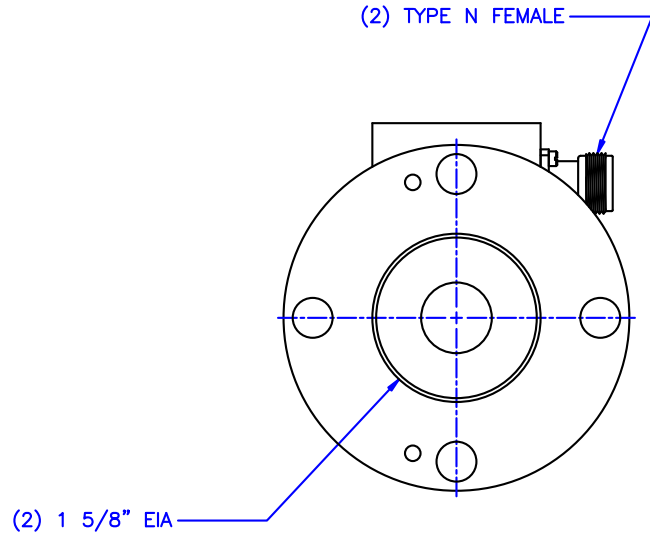


REVISIONS				
ZONE	REV	DESCRIPTION	DATE	APPROVED



SPECIFICATIONS:

- FREQUENCY RANGE: 1-30 MHz
- FLATNESS: ± 0.50 dB
- INSERTION LOSS: 0.05dB Max.
- DIRECTIVITY: 35dB Min.
- VSWR: 1.05:1 Max.
- POWER: 15kW CW

MATERIAL:		MICROWAVE COMMUNICATIONS LABORATORIES INC. 7255 30TH AVE. N. SAINT PETERSBURG, FL 33710 TEL: (727) 344-6254 FAX: (727) 381-6116 http://WWW.MCLI.COM	SCALE: N/A
			SHEET: N/A
UNLESS OTHERWISE SPECIFIED: TOLERANCES IN (INCHES) OR [mm] (MILLIMETERS) FRACTIONS: $\pm 1/64$ DECIMALS: $\pm 0.01 \pm 0.005$ ANGLE: $\pm 1/2^\circ$		DRAWING TITLE: HIGH POWER DUAL DIRECTIONAL COUPLER	
DRAWN: Paiboon Luekhamhan		PART NO.: HDL-18-70	
DATE: 01-04-2011		CAGE CODE: OD2L5	
APPROVED: T. Nguyen		DATE: 01-04-2011	
THIRD ANGLE PROJECTION		SIZE: C	REV: N/A
		DWG NO.: 85185	
DO NOT SCALE THE DRAWING			