

# ELECTRICAL

FREQUENCY RANGE _____	DC- 18 GHz
ATTENUATION ACCURACY _____	DC-18 GHz
1- 6 dB _____	±0.50 dB
7-12, 15 & 20 dB _____	±0.60 dB
30 dB _____	±0.80 dB

(if 30 dB needed this is a custom order and housing length will be longer)

VSWR	
DC - 6 GHz _____	1.15:1 MAX
6 - 18 GHz _____	1.30:1 MAX

INPUT POWER \_\_\_\_\_ 1 WATT AVG. @ 25°C  
DERATES LINEARLY TO 10 % @ 125°C FROM 25°C

RF LEAKAGE/RFI \_\_\_\_\_ >90 dBc (>120 dBc TYP.)

PEAK POWER \_\_\_\_\_ 50 WATTS  
(5µSec PULSE WIDTH, .05 % DUTY CYCLE)

IMPEDANCE \_\_\_\_\_ 50 OHMS

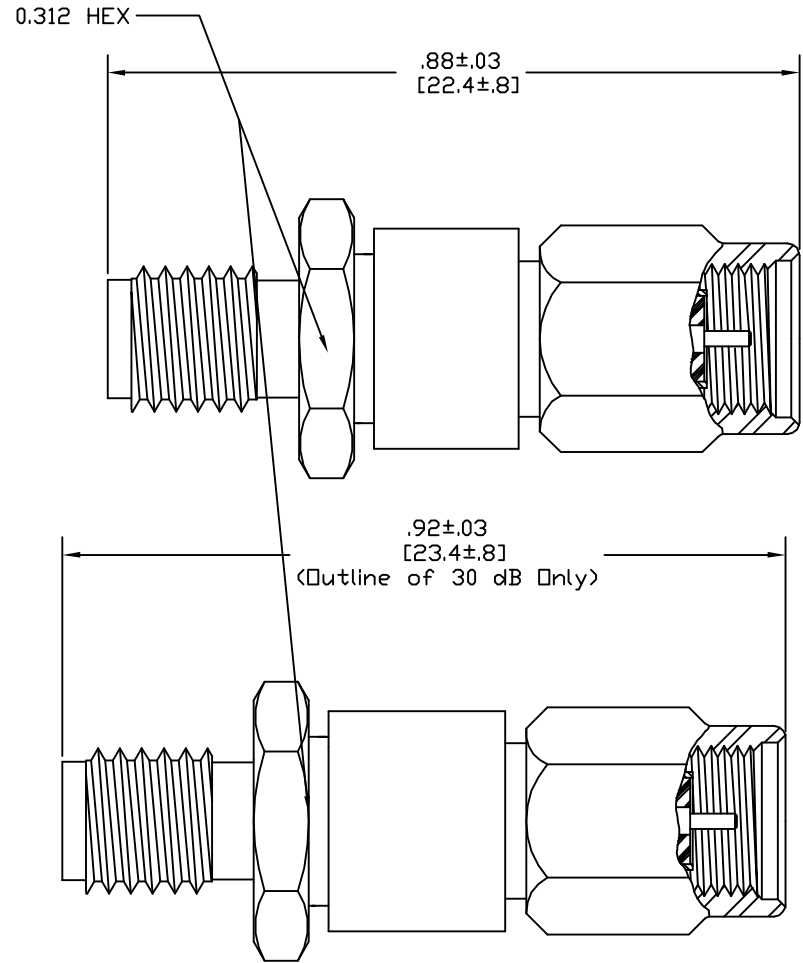
OPERATING TEMP RANGE \_\_\_\_\_ -65°C TO +125°C

CONFORMANCE TESTING IS 100% ATTENUATION AND V.S.W.R.  
 ACROSS SWEEPED FREQUENCY RANGE AT 20-25°C

# MECHANICAL

CONNECTOR BODIES \_\_\_\_\_ PASSIVATED STAINLESS STEEL  
 CENTER CONDUCTORS \_\_\_\_\_ GOLD PLATED BERYLLIUM COPPER  
 INSULATORS \_\_\_\_\_ PTFE (TEFLON) IAW ASTM-D1710  
 RESISTIVE ELEMENT \_\_\_\_\_ THIN FILM ON CERAMIC RESISTIVE CIRCUIT  
 NOT A HERMETIC SEALED UNIT  
 RECOMMENDED CONNECTION TORQUE IS 7-8 in./Lbs. (0.8 to 0.9 Nm)

<b>PRODUCTION RELEASE</b>		<small>NOTE: THIS DRAWING INCORPORATES THIRD ANGLE PROJECTION. INTERPRET IAW ANSI Y14.5-1995</small>		REVISIONS		
REV	DESCRIPTION	DATE	APPROVED			
-	RELEASE	6/2/10	T. KUHN			



<small>DRAWING PRACTICES PER ANSI Y-14.5          MIL-STD-883C &amp; 1000</small> DIMENSIONS ARE IN INCHES AND APPLY BEFORE/AFTER PROCESSING SURFACE ROUGHNESS <b>63</b> ✓	<small>UNLESS OTHERWISE SPECIFIED          TOLERANCES IN</small> DECIMALS INCH MM .XX" .03" [.76] .XXX" .010" [.25] .XXXX" .005 [.127] .XXXXX" .0005" [.013] ANGLES ±0°30' REMOVE ALL BURRS/SHARP W/ BREAK 1/4" OF .003" TO .005" UNLESS OTHERWISE NOTED DIAS CONCENTRIC <.003 T.I.R.	DRAWN <b>D. SAUNDERS</b> DATE <b>01/01/2007</b> CHECKED _____ DATE _____ ENG. <b>D. SAUNDERS</b> DATE <b>01/01/2007</b> <small>THESE DRAWINGS AND          SPECIFICATIONS ARE THE PROPERTY          OF XMA CORP. OR OMNI SPECTRA          AND SHALL NOT BE REPRODUCED,          COPIED NOR USED - IN WHOLE OR IN          PART - AS A BASIS FOR THE          MANUFACTURE OR SALE OF OTHER          ITEMS WITHOUT THE EXPRESS          WRITTEN PERMISSION OF XMA CORP.</small>
--	---	--

<b>XMA</b>		<small>www.XMACorp.com Sales@XMACorp.com</small> <small>Omni Spectra®</small> Phone: 603-222-2256 Fax: 603-222-2259 150 Dow Street, Manchester, NH 03101	
<b>SSMA ATTENUATOR          FIXED, 1 WATT</b>			
SIZE	CAGE CODE	DWG NO.	
<b>C</b>	<b>3HT76</b>	<b>1082-6018-DB</b>	
SCALE	8:1	SHEET	1 OF 1