

5

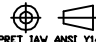
4

3

2

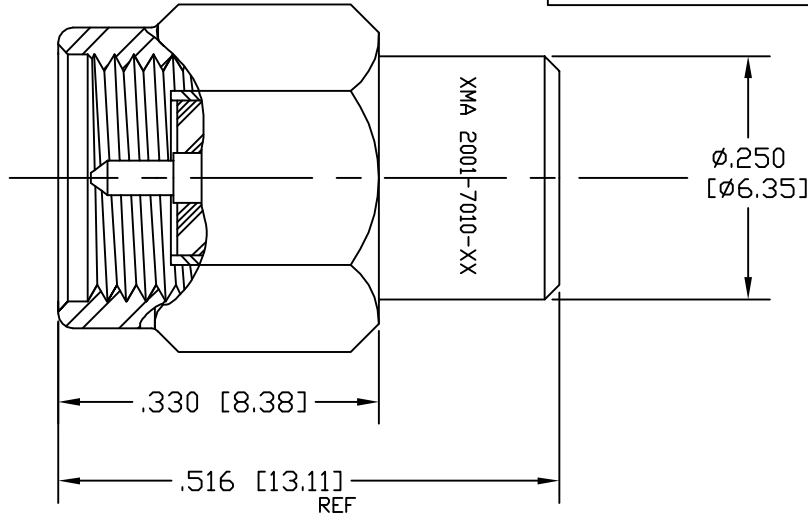
1

**PRODUCTION
RELEASE**

NOTE:
THIS DRAWING INCORPORATES
THIRD ANGLE PROJECTION.

INTERPRET IAW ANSI Y14.5-1992

REVISIONS

LTR	DESCRIPTION	DATE	APPROVED
-1	RELEASED	3/22/11	A. Gagne



MATERIALS

INNER CONDUCTOR: BERYLLIUM COPPER PER ASTM B196 & B197.

OUTER CONDUCTOR: STEEL, CORROSION RESISTANT PER ASTM A484 & A582, CLASS 303, COND. A.

DIELECTRIC: TEFLON PER ASTM D1710.

FINISH

INNER CONDUCTOR: GOLD PLATED PER MIL-PRF-39012.

HOUSING/COUPLING NUT FINISH PER SUFFIX (REPLACING -0X IN PN)

REF

ELECTRICAL SPECIFICATIONS

Frequency Range	DC - 18 GHz	
VSWR:	DC - 4 GHz	1.05:1
	4 - 8 GHz	1.10:1
	8 - 12.4GHz	1.15:1
	12.4 - 18GHz	1.20:1

IMPEDANCE 50 OHMS

TEMPERATURE RANGE (°C) -65 TO +125

POWER (AVG) 2 WATTS**
POWER (PEAK) (<5 μ SEC PW, <1% DUTY CYCLE) 500 WATTS

**POWER DERATES LINEARLY FROM +45°C TO 10% @+125°C

- 00 OUTER CONDUCTOR/NUT GOLD PLATED
- 02 OUTER CONDUCTOR/NUT PASSIVATED SS
- 01 OUTER CONDUCTOR GOLD PLATED, NUT PASSIVATED SS
- XX-C REQUIRES CHAIN ASSEMBLY

DRAWING PRACTICES PER ANSI-Y-14.5
MIL-STD-100 & 1000
DIMENSIONS ARE IN INCHES AND
APPLY BEFORE/AFTER PROCESSING

SURFACE
ROUGHNESS
INCHES 63 ✓

FINISH
SEE NOTES

MATERIAL
SEE NOTES

UNLESS OTHERWISE SPECIFIED
TOLERANCES IN:
DECIMALS INCH DIM

.X" .03" [.76]
.XX" .010" [.25]

.XXX" .005 [.127]
.XXXX" .0005 [.013]

ANGLES ±0°30'
REMOVE ALL BURRS/SHARP W/
BREAK / R OF .003" TO .0005"
UNLESS OTHERWISE NOTED
DIAS CONCENTRIC <.003 T.I.R.

DRAWN M. TURNER DATE
CHECKED DATE

ENGINEER APPR. DATE

THESE DRAWINGS AND
SPECIFICATIONS ARE THE PROPERTY
OF XMA CORP. OR OMNI SPECTRA
AND SHALL NOT BE REPRODUCED,
COPIED NOR USED - IN WHOLE OR IN
PART - AS A BASIS FOR THE
MANUFACTURE OR SALE OF OTHER
ITEMS WITHOUT THE EXPRESS
WRITTEN PERMISSION OF XMA CORP.

XMA Powered by:
Omni Spectra®
Phone:603-222-2256 Fax:603-222-2259
150 Dow Street, Manchester, NH 03101

TITLE
**2 WATT SMA TERMINATION
18GHz**

SIZE B	CAGE CODE 3HT76	DRAWING NUMBER 2001-7010-0X
SCALE 8:1	PLATED AREA SQ. IN XXX	SHEET 1 OF 1

BCSI

5

4

3

2

1