



EUROPEAN ANTENNAS

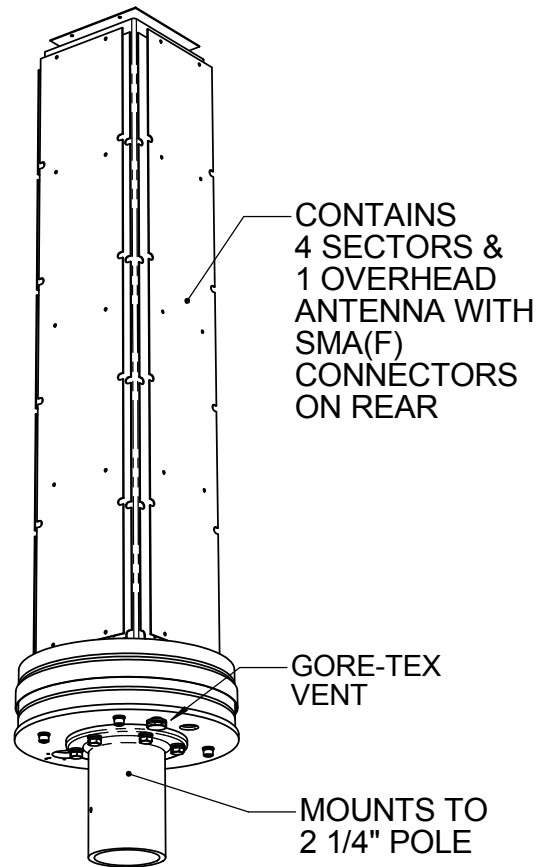
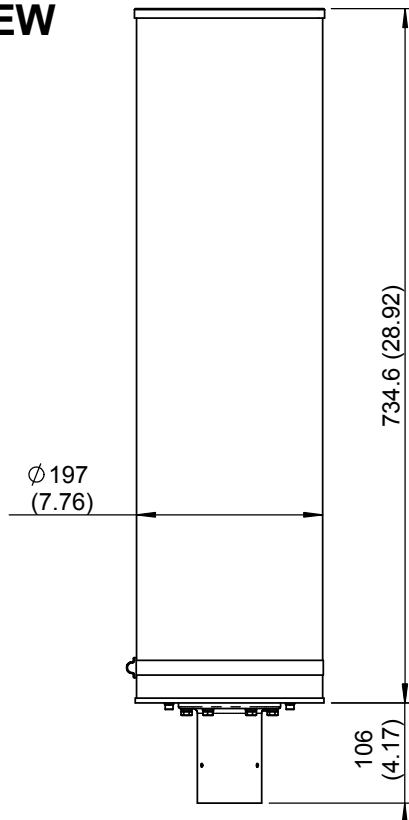
Excellence through design
Creative in concept

MULTI-SECTOR ANTENNA

MODEL: MSA5-1400/1131

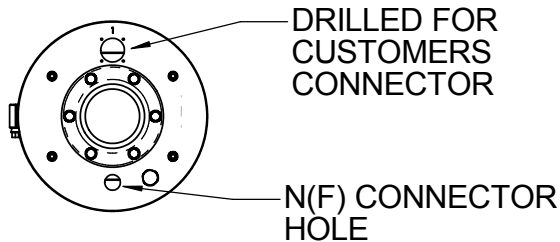
FREQUENCY:	1.314 - 1.430 GHz	GAIN:	12.0 dBi Typ. (sectors) 6.5 dBiC Typ. (Overhead)
POLARISATION:	Linear Vertical (Sectors), RHC (Overhead)	BEAMWIDTH:	88° (Az.) x 19° (El.) Approx. (Sectors), 57° (Az.) x 56° (El.) Approx. (Overhead)
CROSS POLAR /	>20 dB (Sectors),	VSWR:	1.67 : 1 Max, <1.5:1 Typ. (Sectors) 1.5:1 (Overhead)
AXIAL RATIO:	4 dB Typ. (Overhead)	FRONT TO BACK:	N/A
POWER RATING:	10 W	MASS:	5 Kg / 11lbs
TEMPERATURE:	-50° to +50°C	WIND LOADING:	23 Kg / 50 lbs @ 100 mph
FINISH:	Gloss White Radome / Anodised Black Spigot		

SIDE VIEW



ISOMETRIC VIEW

END VIEW



DIMENSIONS: mm (inches)	L
GA: 1131-2	Issued: 150906

EUROPEAN ANTENNAS LTD.

Tel: +44 (0)1638 731888
Fax: +44 (0)1638 731999

LAMBDA HOUSE, CHEVELEY
NEWMARKET, SUFFOLK, CB8 9RG,
UNITED KINGDOM

E-Mail: sales@european-antennas.co.uk
Website: www.european-antennas.co.uk