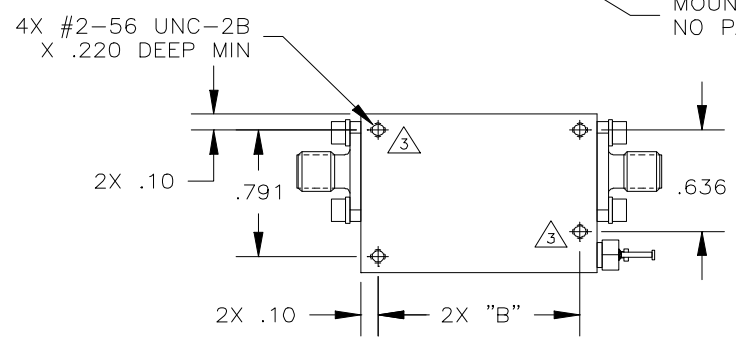
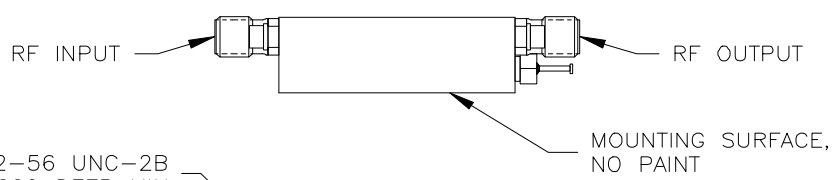
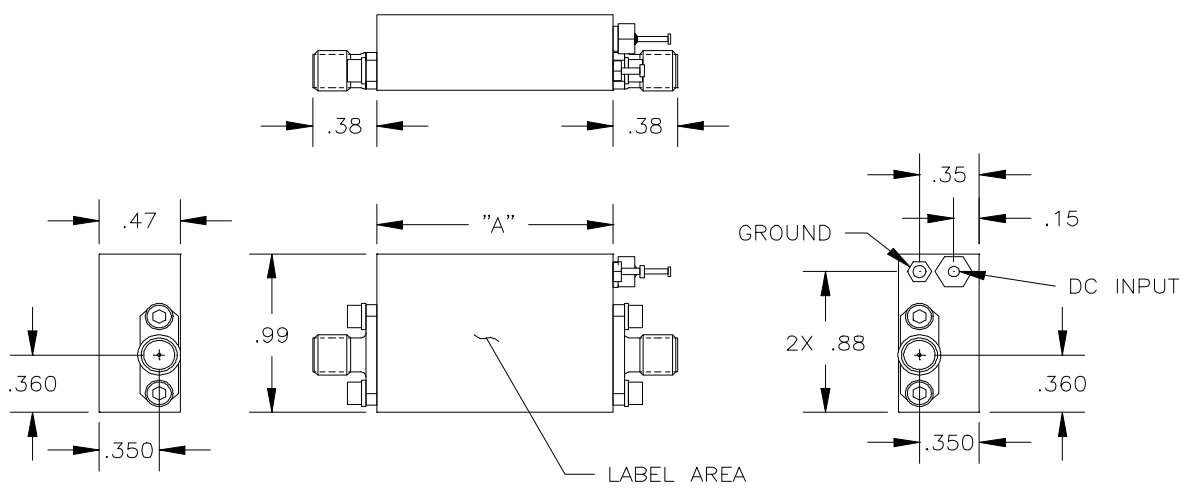


REVISIONS			
REV	DESCRIPTION	DATE	APPROVED



CASE	"A" DIM	"B" DIM
S-1	.634	.434
S-2	.882	.682
S-3	1.130	.930
S-4	1.378	1.178
S-5	1.626	1.426
S-6	1.874	1.674

- NOTES, UNLESS OTHERWISE SPECIFIED:
1. ALL TOLERANCES ARE BEFORE PAINT AND LABELING.
 2. TOLERANCES ARE: XX ± .020
XXX ± .010
 3. THESE HOLES OMITTED ON S-1 CASE.
 4. RF CONNECTORS ARE SMA FEMALE.
 5. INTERPRET DRAWING PER ASME Y14.5M-1994.

ALDETEC INC.

TITLE **S SERIES CASES**

SIZE A	FSCM NO.	DWG NO. XXX	REV —
-----------	----------	----------------	----------