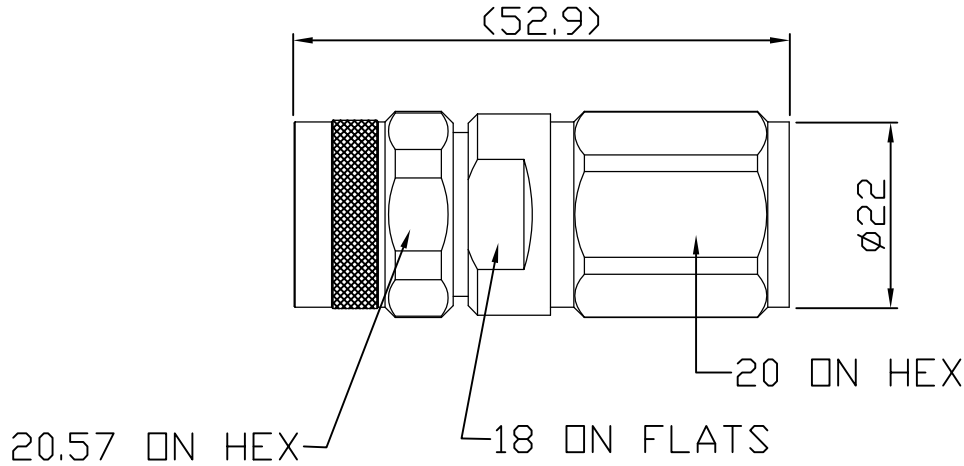


NOTICE OF PROPRIETARY RIGHTS THIS DOCUMENT CONTAINS CONFIDENTIAL TECHNICAL DATA, INCLUDING TRADE SECRETS, PROPRIETARY TO TIMES MICROWAVE SYSTEMS. DISCLOSURE OF THIS DATA IS EXPRESSLY CONDITIONED UPON YOUR ASSENT THAT ITS USE IS LIMITED TO USE WITHIN YOUR COMPANY ONLY. ANY OTHER USE IS STRICTLY PROHIBITED WITHOUT THE PRIOR WRITTEN CONSENT OF TIMES MICROWAVE SYSTEMS.

SYM	REVISION DESCRIPTION	DFTM	DATE	APPD	DATE
A	RELEASED FOR PRODUCTION	K.A.M.	1/25/11	J.D.B.	2/2/11
B	CHANGED PER CDC #34511	D.J.H.	11/30/11	J.D.B.	12/1/11



Reference standard IEC60169-16

I. Electric Performance

Nominal Impedance(Ω): 50
 Frequency Range: DC-6GHz
 VSWR: ≤ 1.30
 INSERT LOSS: ≤ 0.1
 Insulation resistance(M Ω) ≥ 5000
 Proof voltage(V) 2500
 Conductor resistance(m Ω) outer conductor < 0.4
 inner conductor < 0.8

II. Mechanical Performance

Nut torque 5N.m
 (Nut)Whorl pull 500N
 Tensile force(cable-connect) 500N
 Torsion(cable-connect) 5N.m

III. Material and plating :

Inner conductor Spring Copper Plating Au 1.3um
 Outer conductor Brass Plating Copper-tin-zinc 2um
 Nut Brass Plating Ni 5um
 Gasket Silicone rubber
 Insulator PTFE

IV. Environment

Temp.range -55°C~+155°C
 Weather standard IEC 60068 55 / 155/ 56
 Thermal shock US MIL-STD 202,Meth.107,Cond.B
 Vibration US MIL-STD 202,Meth.204,Cond.B
 Shock US MIL-STD 202,Meth.213,Cond.I
 Waterproofing standard IP67

V. Assembly: inner and outer conductor installed

VI. ROHS Compliant.

MATL:	UNLESS OTHERWISE SPECIFIED		DFTM. K. A. M.	TIMES MICROWAVE SYSTEMS			
	ALL DIMENSIONS ARE IN mm		DATE 1/25/11				
USED ON: 0			CHKD. J. D. B.	EZ-SW396-NMC CONNECTOR, "N" MALE FOR LMR-SW396 CABLE			
			DATE 2/2/11				
			APPD. J. D. B.				
SCALE: ~	DWG. SIZE A	DO NOT SCALE DRAWING	CODE IDENT 68999	DATE 2/2/11	1 of 1	SD3190-2623	REV B