



Package: Module, 10-Pin, 3.0mm x 3.0mm x 0.8mm

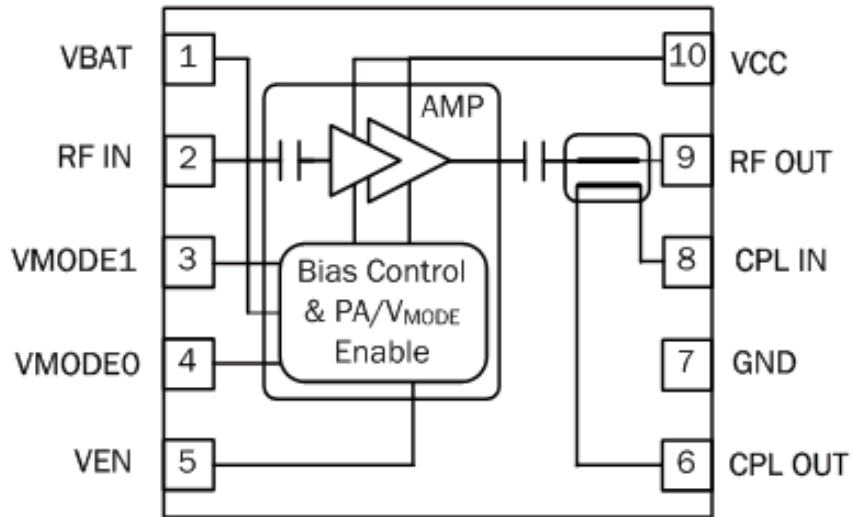


### Features

- LTE Band 20
- Best-in-Class LTE Efficiency  
41%, +27.5 dBm output power (MPR=0)
- High Power Gain: 30dB
- Optimized using DC-DC converter Operation: RF6650 recommended
- Three Power States with Digital Control Interface
- Integrated Power Coupler
- Integrated Blocking and Decoupling Capacitors

### Applications

- LTE Wireless Handsets and Datacards



Functional Block Diagram

### Product Description

The RF7320 is a high-power, high-efficiency linear power amplifier designed for use as final amplification stage in a 3V, 50Ω LTE mobile cellular equipment. This PA is developed for the E-UTRAN\LTE Band 20 which operates in the 832MHz to 862MHz frequency band. The PA is specifically developed for 5MHz to 20MHz channel bandwidths used for Band 20 operations on the LTE network. The RF7320 has two digital control pins to select one of three power bias states to optimize performance and current drain at lower power levels. The part also has an integrated directional coupler which eliminates the need for an external discrete coupler at the output. The RF7320 is fully LTE compliant and is assembled in a 10-pin, 3mm x 3mm module.

### Ordering Information

RF7320	3V LTE Band 20 Linear PA Module
RF7320PCBA-410	Fully Assembled Evaluation Board

# RF7320



rfmd.com

**Please contact  
RFMD Technical Support  
at (336) 678-5570  
for more information.**