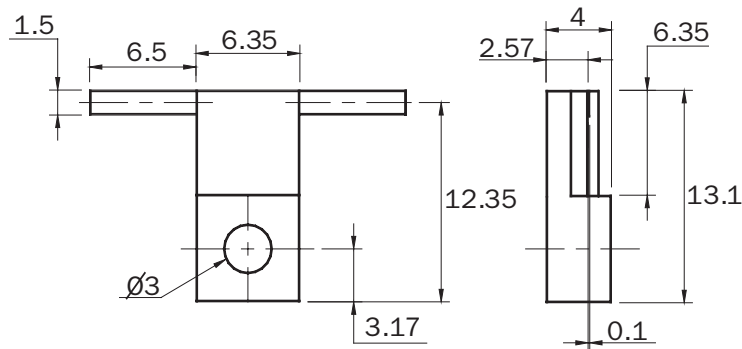
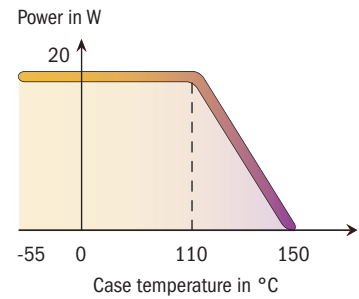




Standards
NF C 96-315
MIL-DTL-3933



Substrate	BeO
Resistive film	Thick film
Tab	Ag
Mounting flange/Plating	Cu/Ni
Cover substrate	Al ₂ O ₃



Dimensions in mm

P/N	Attenuation* (dB)	Frequency (GHz)	Power (W)	Impedance ($\Omega \pm 5\%$)	Max VSWR	Accuracy $\pm \Delta\alpha$ (dB)
16-6515	1	3	20	50	1.25	0.3
16-6516	2	3	20	50	1.25	0.3
16-3603	2.5	3	20	50	1.25	0.3
16-3602	3	3	20	50	1.25	0.3
16-6517	4	3	20	50	1.25	0.3
16-0311	5	3	20	50	1.25	0.3
16-3789	6	3	20	50	1.25	0.4
16-3790	10	3	20	50	1.25	0.5
16-6693	15	3	20	50	1.25	1
16-6518	20	3	20	50	1.25	1

mm	inch
0.1	0.004
1.5	0.059
2.57	0.101
3	0.118
3.17	0.125
4	0.157
6.35	0.250
6.5	0.256
12.35	0.486
13.1	0.516

* Others values on request