



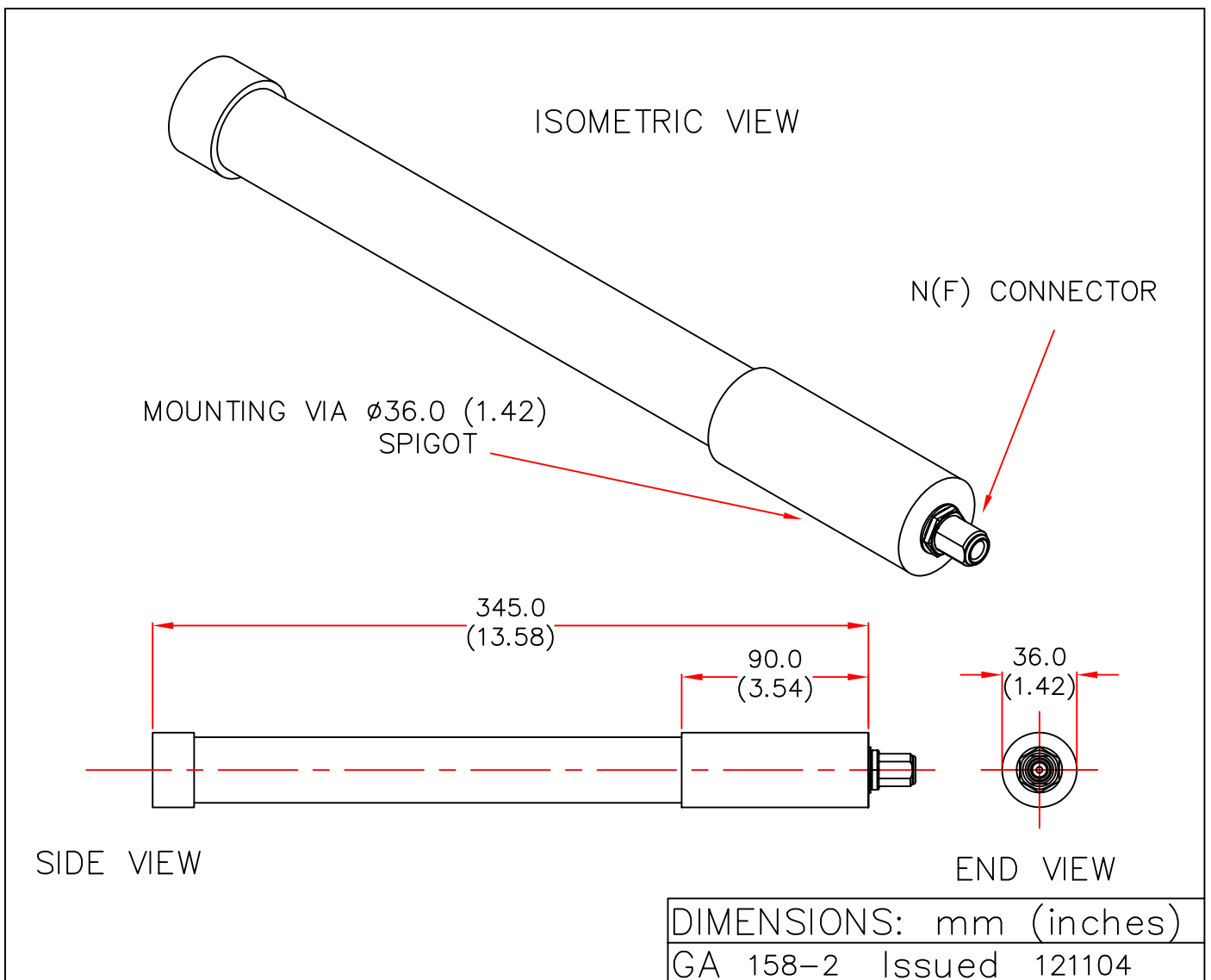
# EUROPEAN ANTENNAS



## PCS1900 VERTICALLY POLARISED OMNI ANTENNA

MODEL: VOA4-1920/158

FREQUENCY: 1.85 – 1.99 GHz	GAIN: 4 dBi
POLARISATION: Vertical	BEAMWIDTH: 360° x 40°
CROSS POLAR: 20 dB	VSWR: 1.5 : 1
POWER RATING: 50 W	FRONT TO BACK: N/A
TEMPERATURE: -40°C to +60°C	MASS: 500 g / 0.47 lbs
RADOME: Glass fibre (Gloss White)	WIND LOADING: 1.6Kg/3.5lbs @100mph



EUROPEAN ANTENNAS LTD.

TEL: +44 (0)1638 731888

LAMBDA HOUSE, CHEVELEY,  
NEWMARKET, SUFFOLK, CB8 9RG,  
UNITED KINGDOM.

FAX: +44 (0)1638 731999

European Antennas Ltd. has a policy of continuous development and therefore stress that the data contained on this sheet should be used for guidance only.