
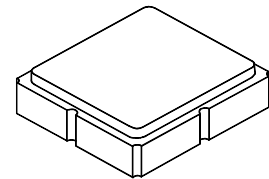


- **Low-loss UHF SAW Filter**
- **Single-ended Input, Balanced Output**
- **3.0 x 3.0 mm Surface-Mount Package**
- **Complies with Directive 2002/95/EC (RoHS)** 
- 

**SF1219E-1**

**2338.75 MHz  
SAW Filter**



**SM3030-6s**


**Maximum Ratings**

Rating	Value	Units
Input Power Level	+15	dBm
DC Voltage on any Non-ground Terminal	3	V
Operating Temperature Range	-40 to +105	°C
Component Storage Temperature Range	-40 to +105	°C
Tape and Reel Storage Temperature Range	-40 to +85	°C
Solder Reflow Temperature, 10 seconds/5 cycles maximum	260	°C

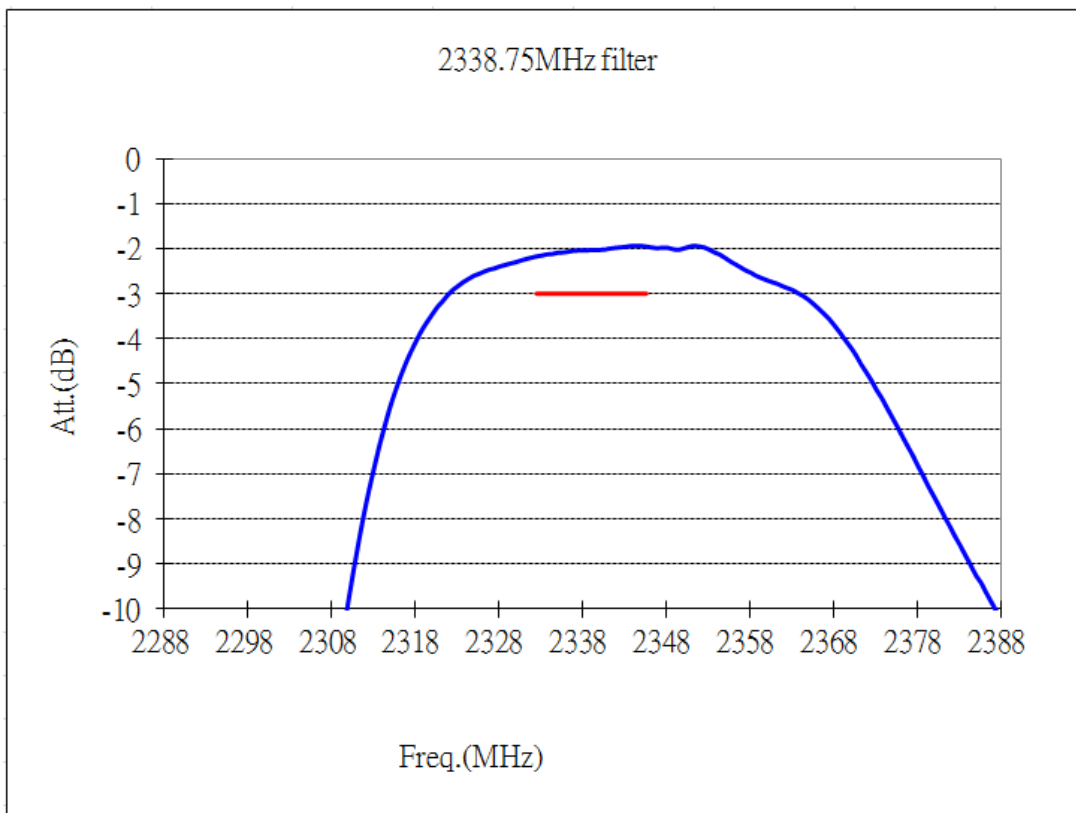
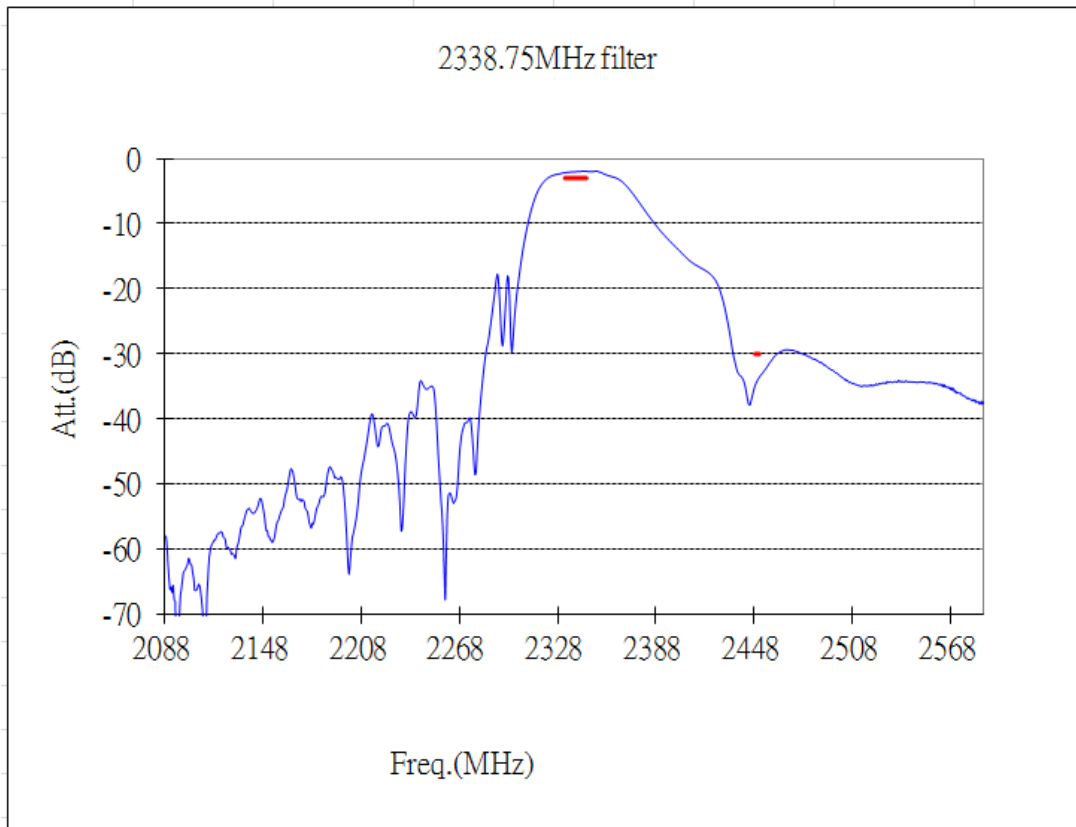
Characteristic	Sym	Notes	Min	Typ	Max	Units
Center Frequency	$f_O$			2338.75		MHz
Maximum Insertion Loss, 2332.5 to 2345 MHz	$IL_{MAX}$			2.1	3.0	dB
Amplitude Ripple, 2332.5 to 2345 MHz				0.3	1.4	dB <sub>P-P</sub>
Group Delay Ripple, 2332.5 to 2345 MHz				4	12	ns <sub>P-P</sub>
Input Return Loss, 2332.5 to 2345 MHz			6.5	20		dB
Output Return Loss, 2332.5 to 2345 MHz			6.5	23		dB
Attenuation, 0 dB Reference:						
88 to 108 MHz			60	70		dB
880 to 960 MHz			50	54		
1710 to 1910 MHz			40	46		
2305 MHz				17		
2310 MHz				10		
2315 MHz				5.6		
2320 MHz				3.5		
2450 MHz			30	34		
3060 MHz			35	49		
Single-ended Source Impedance	$Z_S$			50		
Balanced Load Impedance	$Z_L$			100		$\Omega$

Case Style	SM3030-6 3 x 3 mm Nominal Footprint		
Lid Symbolization y=year, ww=week, s=shift, dot=pin 1 indicator	989 YWWS		
Standard Reel Quantity	Reel Size 7 Inch	500 Pieces/Reel	
	Reel Size 13 Inch	3000 Pieces/Reel	

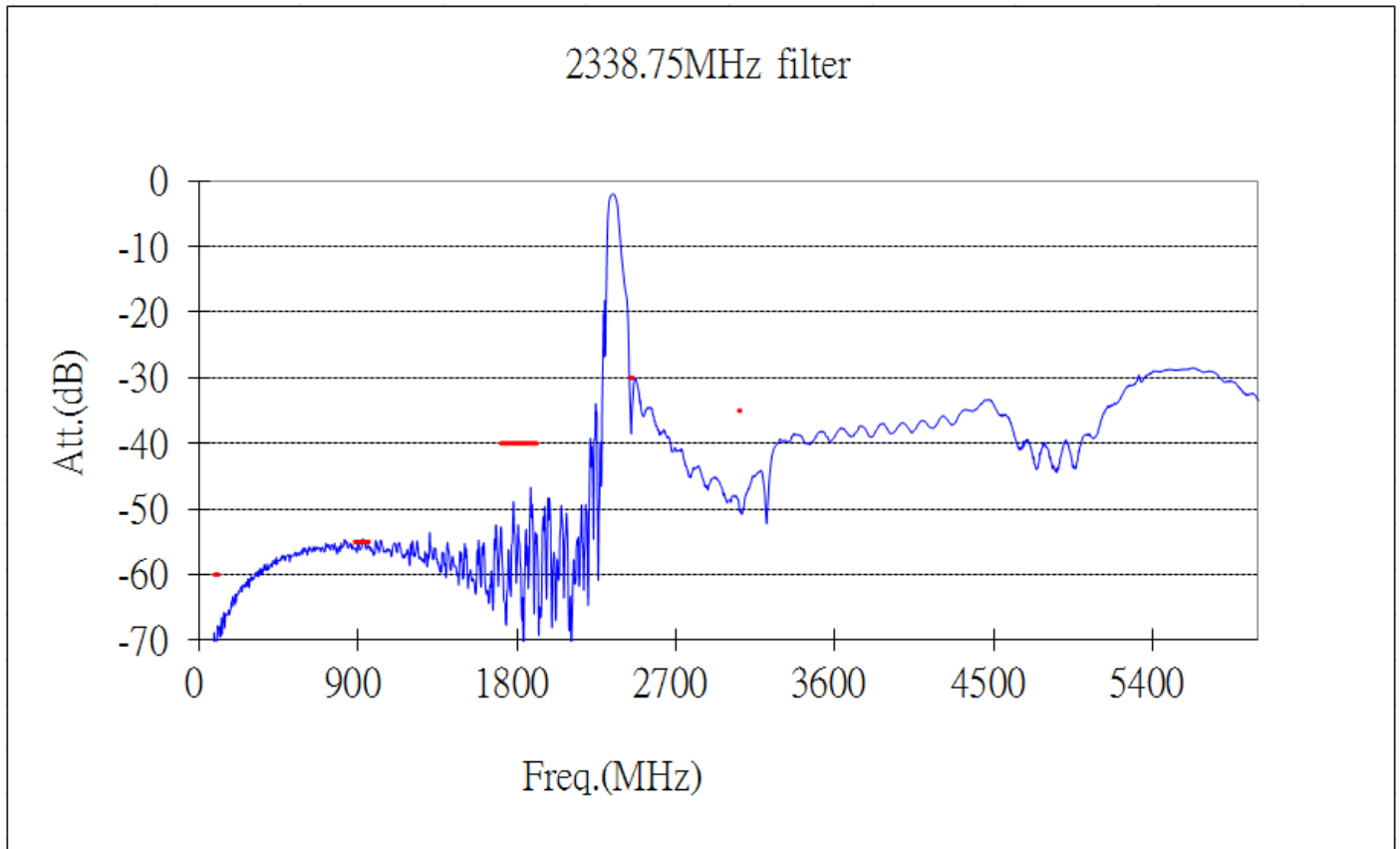
**Notes:**

1. US and international patents may apply.
2. Murata, stylized Murata logo, and Murata N.A., Inc. are registered trademarks of Murata Manufacturing Co., Ltd.
3. Electrostatic Sensitive Device. Observe precautions for handling. 

Frequency characteristics:

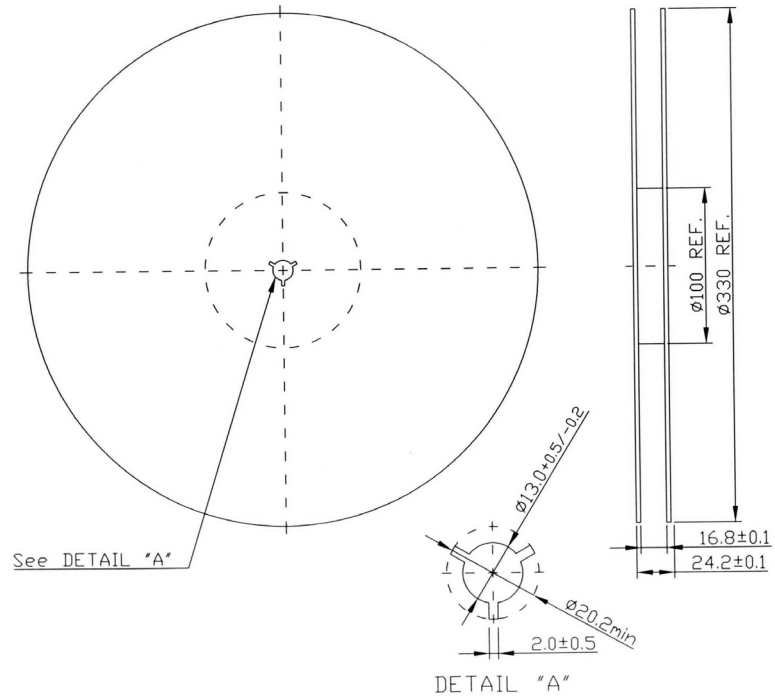


Frequency Characteristics: (continued)

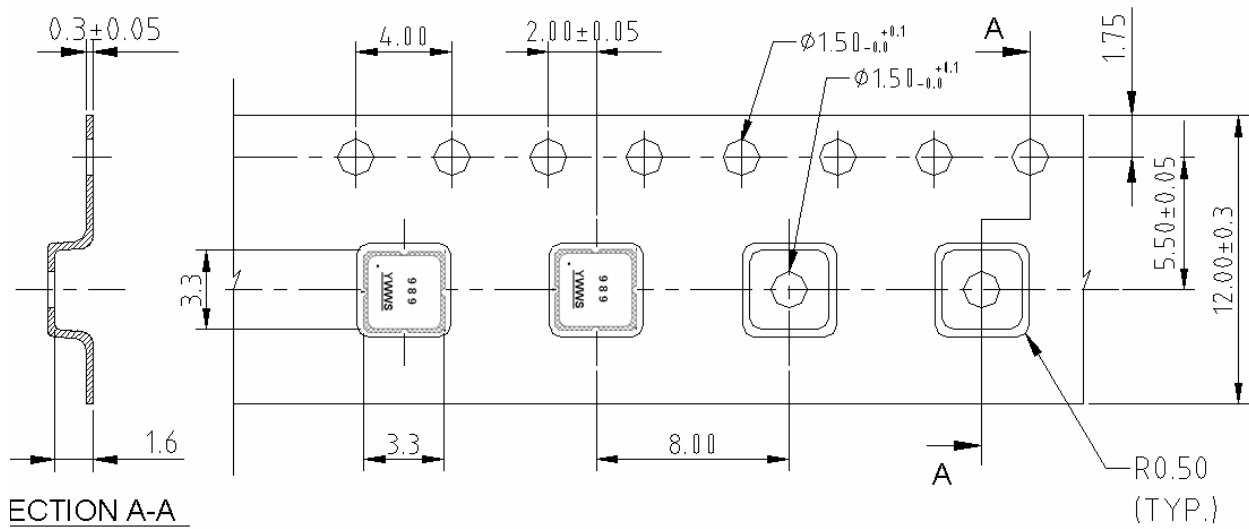


## Tape and Reel Specifications

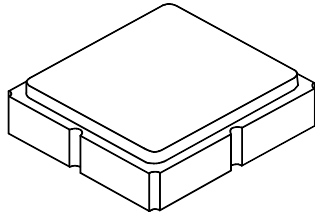
### Reel Dimension



### Tape Dimension



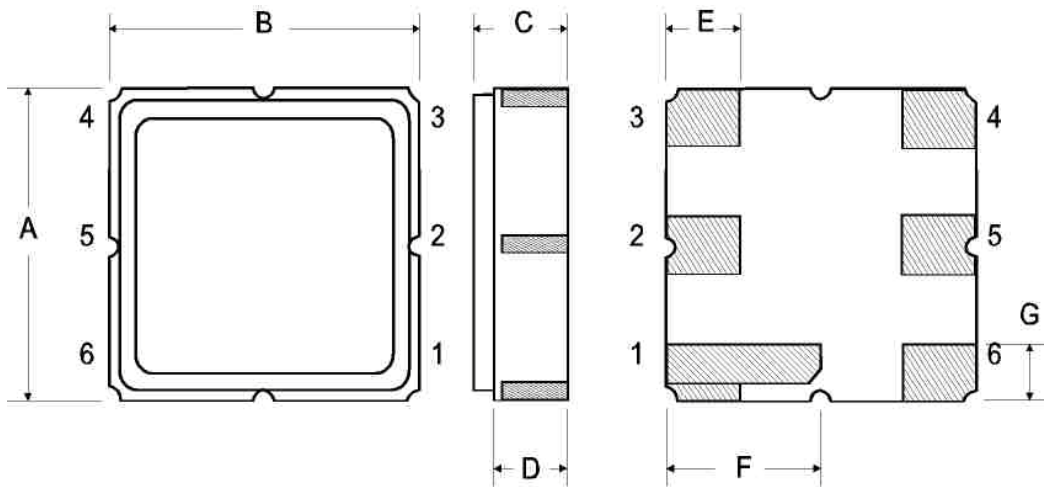
## 6-Terminal Ceramic Surface-Mount Case 3.0 X 3.0 mm Nominal Footprint



### Electrical Connections

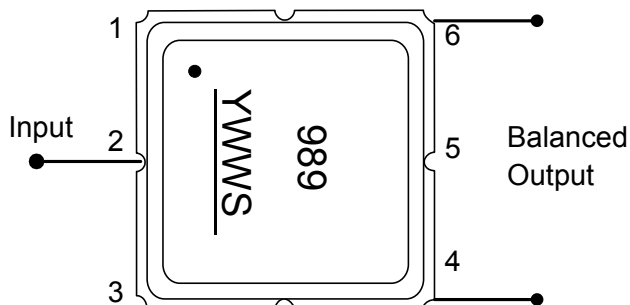
Connection	Terminals
Input	2
Balanced Output	4, 6
Ground	1, 3, 5

Dimensions	Millimeters			Inches		
	Min	Nom	Max	Min	Nom	Max
A	2.87	3.0	3.13			
B	2.87	3.0	3.13			
C	0.90	1.0	1.10			
D		0.75				
E		0.75				
F		1.50				
G		0.60				



### Measurement Circuit

Z<sub>in</sub>: 50 ohm    Z<sub>out</sub>: 100 ohm



**Recommended Reflow Profile:**

