



4.1/9.5 Mini DIN Male to 4.1/9.5 Mini DIN
Female Adapter IP67 Mated

TECHNICAL DATA SHEET

PE91195

Configuration

Connector 1	4.1/9.5 Mini DIN Male
Impedance 1	50 Ohms
Connector 2	4.1/9.5 Mini DIN Female
Impedance 2	50 Ohms
Adapter Design	Standard
Body Style	Straight

Electrical Specifications

Frequency Range	DC to 6 GHz
Maximum VSWR	1.25:1

Frequency 1

Frequency, GHz	DC to 3
VSWR	1.1:1

Frequency 2

Frequency, GHz	3 to 4
VSWR	1.15:1

Mechanical Specifications

Size

Length, in [mm]	1.76 [44.7]
-----------------	-------------

Connector 1

Type	4.1/9.5 Mini DIN Male
Mating Cycles	500
Inner Conductor Material and Plating	Beryllium Copper, Gold
Coupling Nut Material and Plating	Brass, Tri-Metal
Hex Size, mm	22
Torque, in-lbs [Nm]	90 [10.17]
Body Material and Plating	Brass, Tri-Metal
Dielectric Type	PTFE

Connector 2

Type	4.1/9.5 Mini DIN Female
Mating Cycles	500
Inner Conductor Material and Plating	Beryllium Copper, Gold
Body Material and Plating	Brass, Tri-Metal
Dielectric Type	PTFE

Environmental Specifications

Temperature

Operating Range	-55 to +120 deg C
-----------------	-------------------

Ingress Protection	IP67 Mated
--------------------	------------

Click the following link (or enter part number in "SEARCH" on website) to obtain additional part information including price, inventory and certifications: [4.1/9.5 Mini DIN Male to 4.1/9.5 Mini DIN Female Adapter IP67 Mated PE91195](#)



4.1/9.5 Mini DIN Male to 4.1/9.5 Mini DIN Female Adapter IP67 Mated

TECHNICAL DATA SHEET

PE91195

Compliance Certifications (visit www.Pasternack.com for current document)
RoHS Compliant

Plotted and Other Data

Notes:

- Values at +25 °C, sea level

4.1/9.5 Mini DIN Male to 4.1/9.5 Mini DIN Female Adapter IP67 Mated from Pasternack Enterprises has same day shipment for domestic and International orders. Our RF, microwave and millimeter wave products maintain a 99% availability and are part of the broadest selection in the industry.

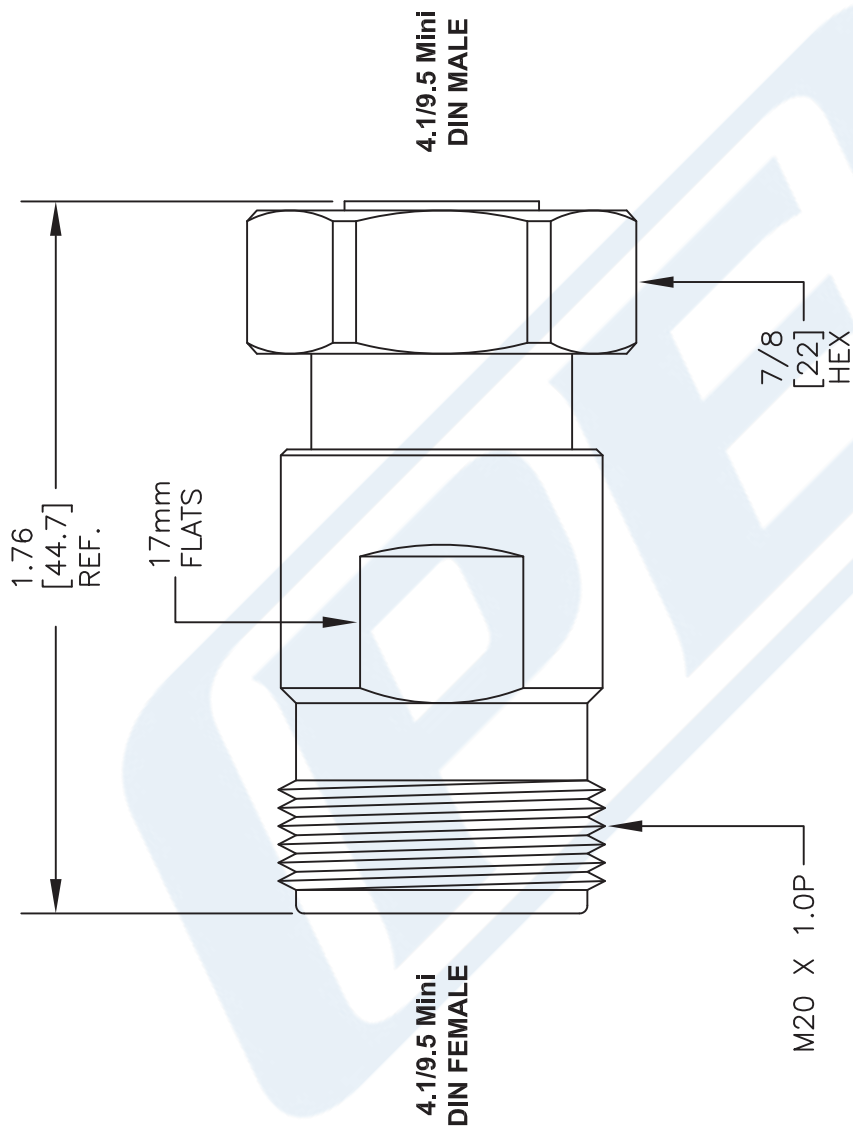
Click the following link (or enter part number in "SEARCH" on website) to obtain additional part information including price, inventory and certifications: [4.1/9.5 Mini DIN Male to 4.1/9.5 Mini DIN Female Adapter IP67 Mated PE91195](http://www.pasternack.com/4.1-9.5-mini-din-male-4.1-9.5-mini-din-female-straight-adapter-pe91195-p.aspx)

URL: <http://www.pasternack.com/4.1-9.5-mini-din-male-4.1-9.5-mini-din-female-straight-adapter-pe91195-p.aspx>

The information contained in this document is accurate to the best of our knowledge and representative of the part described herein. It may be necessary to make modifications to the part and/or the documentation of the part, in order to implement improvements. Pasternack reserves the right to make such changes as required. Unless otherwise stated, all specifications are nominal. Pasternack does not make any representation or warranty regarding the suitability of the part described herein for any particular purpose, and Pasternack does not assume any liability arising out of the use of any part or documentation.

PE91195 CAD Drawing

4.1/9.5 Mini DIN Male to 4.1/9.5 Mini DIN Female Adapter IP67 Mated



DWG TITLE

PE91195

NOTES:
 1. UNLESS OTHERWISE SPECIFIED ALL DIMENSIONS ARE NOMINAL.
 2. ALL SPECIFICATIONS ARE SUBJECT TO CHANGE WITHOUT NOTICE AT ANY TIME.
 3. DIMENSIONS ARE IN INCHES [mm].

FSCM NO. 53919

CAD FILE 061614

SCALE N/A

SIZE A

2233



THE ENGINEER'S RF SOURCE

Pasternack Enterprises, Inc.
 P.O. Box 16759 | Irvine | CA | 92623
 Phone: (949) 261-1920 | Fax: (949) 261-7451
 Website: www.pasternack.com | E-Mail: sales@pasternack.com