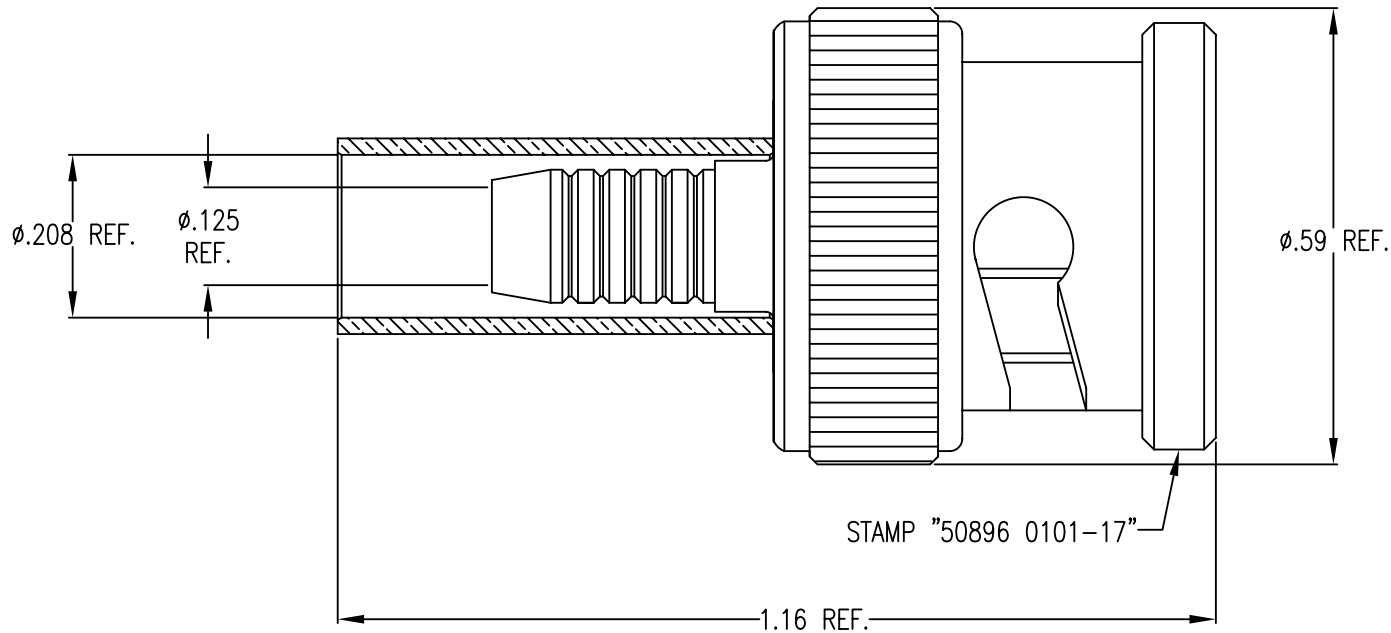


- 1.0 PERFORMANCE
- 1.1 FREQUENCY RANGE: DC-4GHz
- 1.2 VOLTAGE RATING: 500V RMS (sea level)
- 1.3 NOMINAL IMPEDANCE: 50 OHMS
- 1.4 DWV: 1500 V RMS @ 60 Hz (sea level)
- 1.5 TEMPERATURE RANGE: -65°C TO +165°C
- 2.0 MATERIALS
- 2.1 DIELECTRIC: TEFLON, ASTM-D-1710

- 2.2 CONTACT: BRASS PER ASTM-B-16
- 2.3 SPRING WASHERS: BERYLLIUM COPPER, ASTM-B-194
- 2.4 ALL OTHER METAL PARTS: BRASS PER ASTM-B-16
- 2.5 GASKET: SILICON RUBBER, ZZ-R 765, GR. 50 (RED)
- 3.0. FINISHES
- 3.1 CONTACT: SILVER PLATED
- 3.2 ALL OTHER METAL PARTS: NICKEL PLATED
- 4.0 MECHANICAL
- 4.1 INTERFACE IN ACCORDANCE WITH MIL-STD-348
- 4.2 CABLE ASSEMBLY INSTRUCTION: D-02,
0.213 HEX DIE, 0.069 DIAMOND DIE

DWG NO. OL-0101-17-1	REV. B
-------------------------	-----------



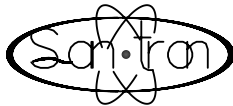
B	ADD NOTE 4.2	5/17/07	FSH	FSH	
A	ORIGINAL	11/20/00	 	 	
Rev.	Revisions	Date	Dwn.	Appd.	
	RECOM. STOCK SIZE	FT/M PCS	QTY REQD		

PROPRIETARY
THIS DRAWING CONTAINS CONFIDENTIAL INFORMATION
PROPRIETARY TO SAN*TRON INC. IT MUST NOT BE
REPRODUCED OR DISCLOSED TO OTHERS OR USED IN
ANY OTHER WAY, IN WHOLE OR PART EXCEPT AS
AUTHORIZED IN WRITING BY SAN*TRON INCORPORATED.

REMOVE ALL BURRS AND SHARP
EDGES .005 MAX.
UNLESS OTHERWISE STATED
ALL DIMENSIONS ARE IN INCHES
AND APPLY AFTER PLATING

UNSPECIFIED TOL.	DWN	JMB	5/5/00
DEC. ± .005	CHKD	SJS	11/16/00
FRAC. ± 1/64	APPR		
ANG. ± 1/2°			

CONCENTRICITY .004 TIR ⁶³/_✓
ALL MACHINED SURFACES



SAN • TRON, INC.
4 NEWBURYPORT TPK, IPSWICH, MA 01938

TITLE RG 58 TYPE BNC
CRIMP MALE (CAPTIVE CON.)

MATERIAL: SEE NOTE 2	FINISH: SEE NOTE 3.0
-------------------------	-------------------------

FSCM NO. 50896	DWG NO. OL-0101-17-1	REV. B
SCALE 4:1		