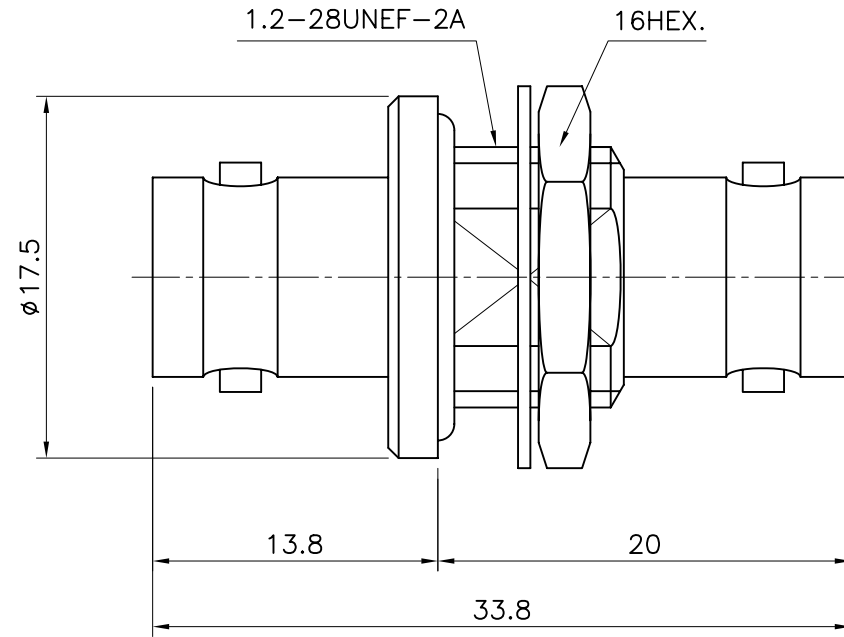


1                      2                      3                      4                      5                      6

No.	Revision	Date	Name
△			
△			

D  
C  
B  
A



BNC-Bulkhead JACK TO JACK  
with Seal -ADAPTOR

Item	Materials	Plating
Body	Brass	Nickel Plated
Center contact	Be-Cu	Gold Plated
Nut,Washer	Brass	Nickel Plated
Insulator	TEFLON	-

**CUSTOMER**

NO.	DESCRIPTION	Q'TY	MATERIAL	FINISH	REMARKS.
PARTS No.	1B-804-02		NAME	BNC-BJJ-ADAP	APPROVED
MATERIAL	FINISH	TOLERANCES OTHERWISE SPEC. $\pm 0.05$		ANGLES $\pm 1^\circ$	CHECKED
SCALE		UNIT	mm		DESIGNED S.J.LEE
DWG NO.		1B-804-02		DATE.	15/DEC/2008

**Cross RF**  
web: www.crossrf.com