



Medium Power 50 Watts RF Load Up To 12.4 GHz With N Male Input Square Body

TECHNICAL DATA SHEET

PE6198

**Configuration**

Connector	N Male
Connection Method	Standard
Body Style	Straight

**Electrical Specifications**

Frequency Range, GHz	DC to 12.4
Impedance, Ohms	50
Maximum VSWR	1.35:1
Maximum Input Power, Watts	50

**Frequency 1**

Frequency, GHz	DC to 6
VSWR	1.25:1

**Frequency 2**

Frequency, GHz	6 to 12.4
VSWR	1.35:1

**Mechanical Specifications**

**Temperature**

Operating Range, deg C	-65 to +125
------------------------	-------------

**Size**

Length, in [mm]	4.03 [102.36]
Width/Dia., in [mm]	3 [76.2]
Height, in [mm]	3 [76.2]

**Connector**

Type	N Male
Inner Conductor Material and Plating	Beryllium Copper, Gold
Outer Conductor Material and Plating	Passivated Stainless Steel
Coupling Nut Material and Plating	Passivated Stainless Steel
Body Material and Plating	Black Anodized Aluminum Heatsink

**Compliance Certifications** (visit [www.Pasternack.com](http://www.Pasternack.com) for current document)

RoHS Compliant	Yes
----------------	-----

Click the following link (or enter part number in "SEARCH" on website) to obtain additional part information including price, inventory and certifications: [Medium Power 50 Watts RF Load Up To 12.4 GHz With N Male Input Square Body PE6198](#)

The information contained in this document is accurate to the best of our knowledge and representative of the part described herein. It may be necessary to make modifications to the part and/or the documentation of the part, in order to implement improvements. Pasternack reserves the right to make such changes as required. Unless otherwise stated, all specifications are nominal.





## Medium Power 50 Watts RF Load Up To 12.4 GHz With N Male Input Square Body

### TECHNICAL DATA SHEET

PE6198

#### Plotted and Other Data

Notes:

Values at 25 °C, sea level

Medium Power 50 Watts RF Load Up To 12.4 GHz With N Male Input Square Body from Pasternack Enterprises has same day shipment for domestic and International orders. Our RF, microwave and fiber optic products maintain a 99% availability and are part of the broadest selection in the industry.

Click the following link (or enter part number in "SEARCH" on website) to obtain additional part information including price, inventory and certifications: [Medium Power 50 Watts RF Load Up To 12.4 GHz With N Male Input Square Body PE6198](#)

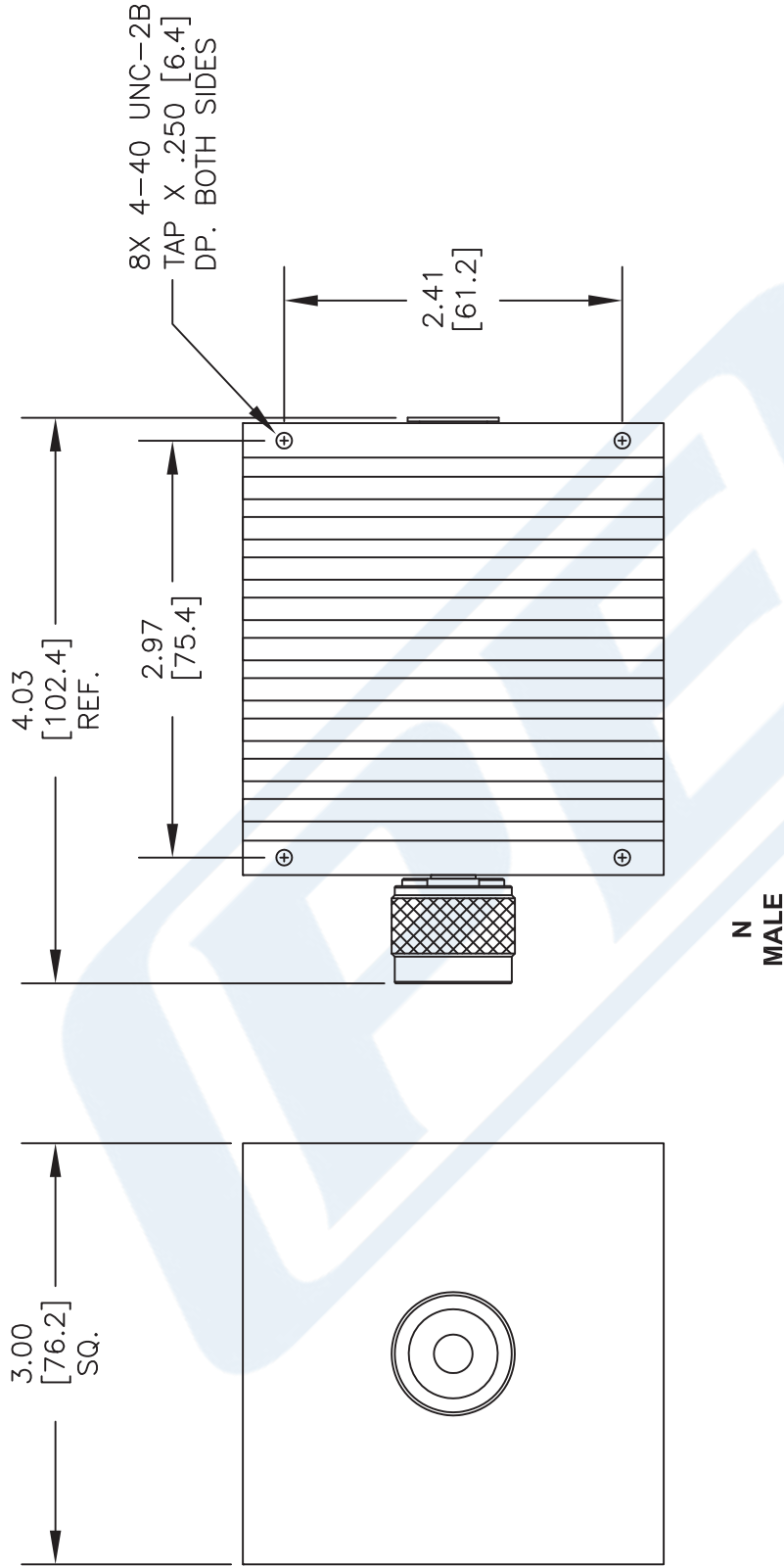
URL: <http://www.pasternack.com/50-watts-n-male-rf-load-up-to-12.4-ghz-pe6198-p.aspx>

The information contained in this document is accurate to the best of our knowledge and representative of the part described herein. It may be necessary to make modifications to the part and/or the documentation of the part, in order to implement improvements. Pasternack reserves the right to make such changes as required. Unless otherwise stated, all specifications are nominal.



# PE6198 CAD Drawing

Medium Power 50 Watts RF Load Up To 12.4 GHz With N Male Input Square Body



DWG TITLE

**PE6198**

NOTES:  
 1. UNLESS OTHERWISE SPECIFIED ALL DIMENSIONS ARE NOMINAL.  
 2. ALL SPECIFICATIONS ARE SUBJECT TO CHANGE WITHOUT NOTICE AT ANY TIME.  
 3. DIMENSIONS ARE IN INCHES [mm].

FSCM NO. 53919

CAD FILE 112113

SCALE N/A

SIZE A

2233



Pasternack Enterprises, Inc.  
 P.O. Box 16759 | Irvine | CA | 92623  
 Phone: (949) 261-1920 | Fax: (949) 261-7451  
 Website: www.pasternack.com | E-Mail: sales@pasternack.com