

5

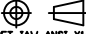
4

3

2

1

**PRODUCTION
RELEASE**

NOTE:
THIS DRAWING INCORPORATES
THIRD ANGLE PROJECTION.

INTERPRET IAW ANSI Y14.5-1992

REVISIONS			
LTR	DESCRIPTION	DATE	APPROVED
B	REPLACED SIDE VIEW, RELOCATED MOUNTING HOLES	04/19/11	T.A.K

ELECTRICAL

FREQUENCY RANGE	DC - 6 GHz, 12.4 GHz & 18 GHz		
AVAILABLE dB VALUES	1-10, 20, 30, 40 & 50 dB		
ATTENUATION ACCURACY	DC-6GHz	6-12.4GHz	12.4-18GHz
3 & 6 dB	±0.3 dB	±0.5 dB	±0.75 dB
10 & 20 dB	±0.5 dB	±0.75 dB	±1.00 dB
30 dB	±0.75 dB	±1.00 dB	±1.25 dB
40 dB	±1.00 dB	±1.25 dB	±1.50 dB
50 dB	±1.25 dB	NA	NA

VSWR

DC - 6 GHz	1.20:1 MAX
6 - 12.4 GHz	1.30:1 MAX
12.4 - 18 GHz	1.40:1 MAX

INPUT POWER 25 WATTS AVG. @ 25°C

PEAK POWER DERATED LINEARLY TO 10 WATTS @ 125°C
500 WATTS

IMPEDANCE 50 OHMS

OPERATING TEMP RANGE -65°C TO +125°C

MECHANICAL

TYPE N CONNECTORS	PASSIVATED STAINLESS STEEL
CONDUCTORS	GOLD PLATED BERYLLIUM COPPER
HOUSING	BLACK ANODIZED ALUMINUM

ORDERING INFORMATION

3082-6525-FQ-DB	TYPE N MALE INPUT TO FEMALE OUTPUT
3081-6525-FQ-DB	TYPE N MALE INPUT TO MALE OUTPUT
3080-6525-FQ-DB	TYPE N FEMALE INPUT TO FEMALE OUTPUT
3082-6525-FQ-FM-DB	TYPE N FEMALE INPUT TO MALE OUTPUT

TO DESIGNATE MAX FREQUENCY REPLACE "FQ" WITH:
"06" = 6 GHz; "12" = 12.4 GHz; "18" = 18 GHz

ORDERING EXAMPLES

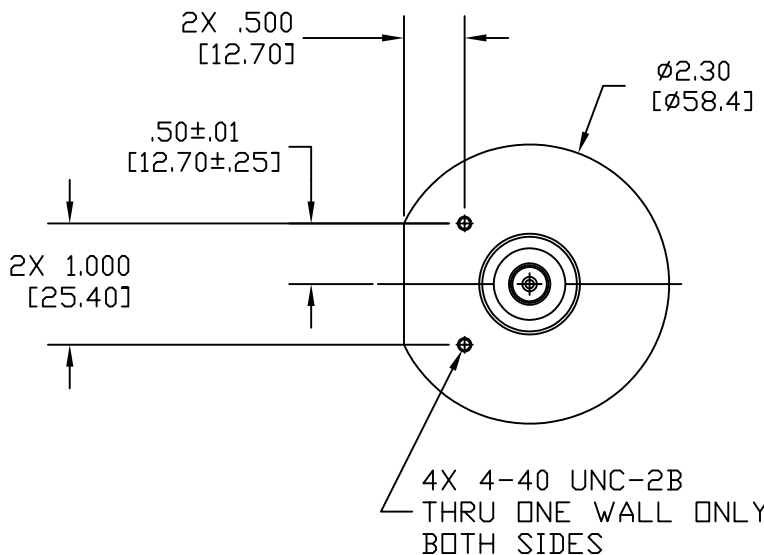
- A 10dB UNIT MALE TO FEMALE FOR 6 GHz WOULD BE 3082-6525-06-10
- A 20dB UNIT MALE TO MALE FOR 18 GHz WOULD BE 3081-6525-18-20
- A 3dB UNIT FEMALE TO MALE FOR 12 GHz WOULD BE 3082-6525-12-FM-03

NOTES:

UNIT IS BIDIRECTIONAL.

50 dB UNIT IS AVAILABLE TO 6GHz ONLY.

QUANTITY OF HEATSINK FINS, THICKNESS AND FIN SPACING MAY VARY WITHOUT NOTICE. BASIC SHAPE & OTHER PARAMETERS SHALL REMAIN AS DIMENSIONED.



XMA Powered by:
Omni Spectra®
Phone:603-222-2256 Fax:603-222-2259
150 Dow Street, Manchester, NH 03101

TITLE
OUTLINE DRAWING ATTENUATOR
25 W, TYPE N M/F, Up To 18 GHz

SIZE	CAGE CODE	DRAWING NUMBER
B	3HT76	3082-6525-FQ-DB
SCALE	PLATED AREA SQ. IN	SHEET 1 OF 1
1:1	XXX	

DRAWING PRACTICES PER ANSI-Y-14.5 MIL-STD-100 & 1000	UNLESS OTHERWISE SPECIFIED	DRAWN	DATE
DIMENSIONS ARE IN INCHES AND APPLY BEFORE/AFTER PROCESSING	TOLERANCES IN:	T. MAIN	11/30/2010
SURFACE ROUGHNESS (INCHES)	DECIMALS	CHECKED	DATE
63 ✓	.X" .03" [.76]	T. KUHN	11/30/2010
FINISH	.XX" .010" [.25]	ENGINEER APPR.	DATE
SEE NOTES	.XXX" .005 [.127]	T. KUHN	11/30/2010
MATERIAL	.XXXX" .0005" [.013]	THESE DRAWINGS AND SPECIFICATIONS ARE THE PROPERTY OF XMA CORP. OR OMNI SPECTRA AND SHALL NOT BE REPRODUCED, COPIED NOR USED - IN WHOLE OR IN PART - AS A BASIS FOR THE MANUFACTURE OR SALE OF OTHER ITEMS WITHOUT THE EXPRESS WRITTEN PERMISSION OF XMA CORP.	
SEE NOTES	ANGLES ±0°30'		
	REMOVE ALL BURRS/SHARP W/ BREAK / R OF .003" TO .0005" UNLESS OTHERWISE NOTED		
	DIAS CONCENTRIC <.003 T.I.R.		

5

4

3

2

1

BCSI