



50 Ohm SMA Frequency Doubler With Input From 4000 MHz To 9000 MHz And Output From 8000 MHz To 18000 MHz With 10 dB Conversion Loss

TECHNICAL DATA SHEET

PE8602

**50 Ohm SMA Frequency Doubler With Input From 4000 MHz To 9000 MHz And Output From 8000 MHz To 18000 MHz With 10 dB Conversion Loss**

**Configuration**

Design	Doubler
Input Connector	SMA Female
Input Connector Impedance	50 Ohms
Output Connector	SMA Female

**Electrical Specifications**

Input Frequency Range, GHz	4 to 9
Output Frequency Range, GHz	8 to 18
Fundamental Isolation, dB	25
1dB Compression Point, dBm	13

**Mechanical Specifications**

**Size**

Length, in [mm]	1.55 [39.37]
Width/Dia., in [mm]	0.31 [7.87]
Height, in [mm]	0.59 [14.99]

**Input Connector**

Type	SMA Female
------	------------

**Output Connector**

Type	SMA Female
------	------------

Click the following link (or enter part number in "SEARCH" on website) to obtain additional part information including price, inventory and certifications: [50 Ohm SMA Frequency Doubler With Input From 4000 MHz To 9000 MHz And Output From 8000 MHz To 18000 MHz With 10 dB Conversion Loss PE8602](#)

The information contained in this document is accurate to the best of our knowledge and representative of the part described herein. It may be necessary to make modifications to the part and/or the documentation of the part, in order to implement improvements. Pasternack reserves the right to make such changes as required. Unless otherwise stated, all specifications are nominal.



50 Ohm SMA Frequency Doubler With Input From  
4000 MHz To 9000 MHz And Output From 8000 MHz  
To 18000 MHz With 10 dB Conversion Loss



## TECHNICAL DATA SHEET

PE8602

**Compliance Certifications** (visit [www.Pasternack.com](http://www.Pasternack.com) for current document)

### Plotted and Other Data

Notes:

Values at 25 °C, sea level

50 Ohm SMA Frequency Doubler With Input From 4000 MHz To 9000 MHz And Output From 8000 MHz To 18000 MHz With 10 dB Conversion Loss from Pasternack Enterprises has same day shipment for domestic and International orders. Our RF, microwave and fiber optic products maintain a 99% availability and are part of the broadest selection in the industry.

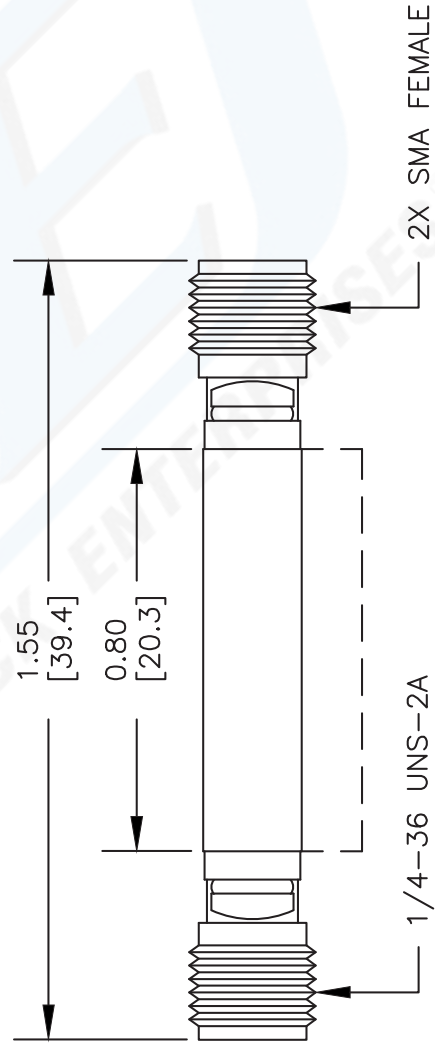
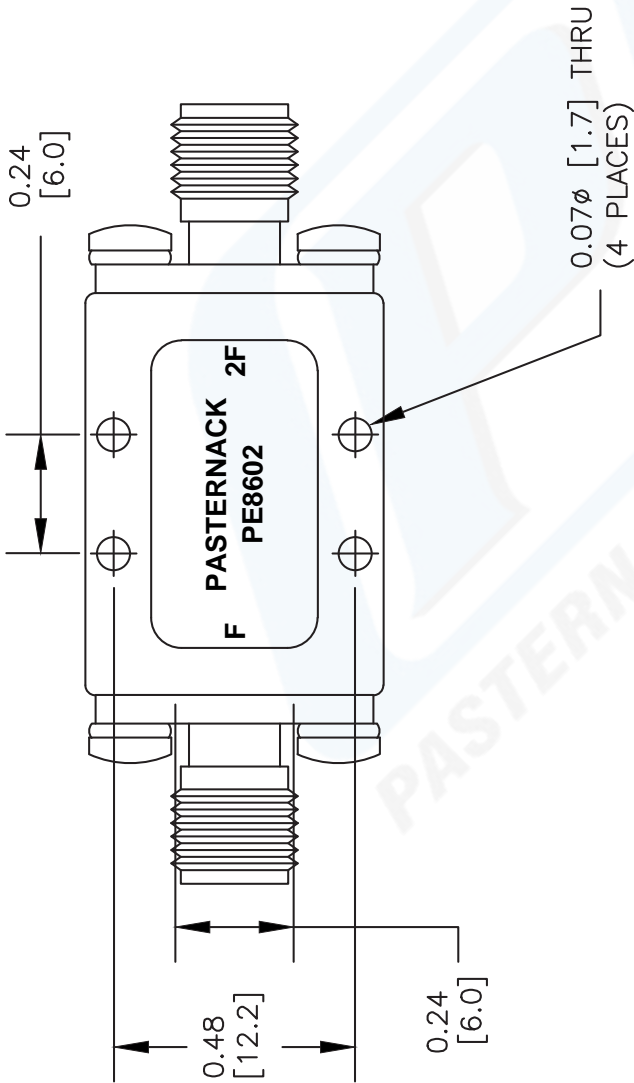
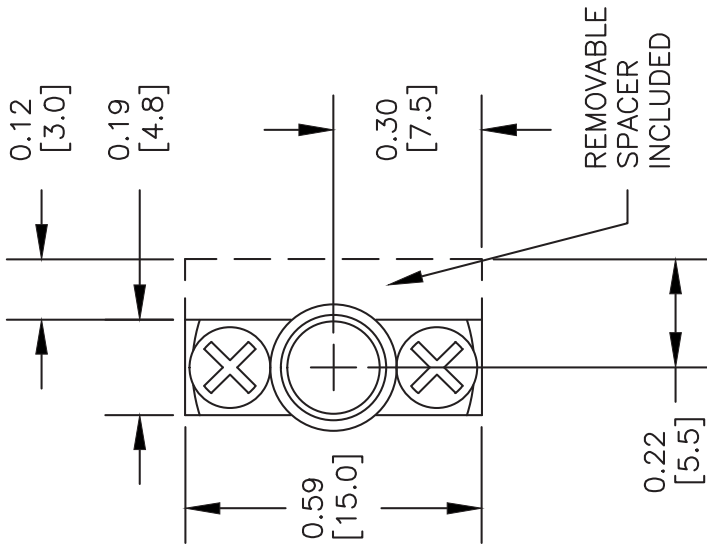
Click the following link (or enter part number in "SEARCH" on website) to obtain additional part information including price, inventory and certifications: [50 Ohm SMA Frequency Doubler With Input From 4000 MHz To 9000 MHz And Output From 8000 MHz To 18000 MHz With 10 dB Conversion Loss PE8602](http://www.pasternack.com/50-ohm-sma-doubler-input-4000-9000-output-8000-18000-10db-loss-pe8602-p.aspx)

URL: <http://www.pasternack.com/50-ohm-sma-doubler-input-4000-9000-output-8000-18000-10db-loss-pe8602-p.aspx>

The information contained in this document is accurate to the best of our knowledge and representative of the part described herein. It may be necessary to make modifications to the part and/or the documentation of the part, in order to implement improvements. Pasternack reserves the right to make such changes as required. Unless otherwise stated, all specifications are nominal.

# PE8602 CAD Drawing

50 Ohm SMA Frequency Doubler With Input From 4000 MHz To 9000 MHz  
And Output From 8000 MHz To 18000 MHz With 10 dB Conversion Loss



NOTES:  
1. UNLESS OTHERWISE SPECIFIED ALL DIMENSIONS ARE NOMINAL.  
2. ALL SPECIFICATIONS ARE SUBJECT TO CHANGE WITHOUT NOTICE AT ANY TIME.  
3. DIMENSIONS ARE IN INCHES [mm].

DWG TITLE

**PE8602**

REV. C

FSCM NO. 53919

CAD FILE 122111

SCALE N/A

SIZE A

2233



Pasternack Enterprises, Inc.  
P.O. Box 16759 | Irvine | CA | 92623  
Phone: (949) 261-1920 | Fax: (949) 261-7451  
Website: www.pasternack.com | E-Mail: sales@pasternack.com