



Mini UHF Male to Mini UHF Female Right Angle Adapter

TECHNICAL DATA SHEET

PE9347

Mini UHF Male to Mini UHF Female Right Angle Adapter
Configuration

Connector 1	Mini UHF Male
Impedance 1	50 Ohms
Connector 2	Mini UHF Female
Impedance 2	50 Ohms
Adapter Design	Standard
Body Style	Right Angle

Mechanical Specifications
Size

Length, in [mm]	0.84 [21.34]
Width/Dia., in [mm]	0.452 [11.48]
Height, in [mm]	0.766 [19.46]

Connector 1

Type	Mini UHF Male
Inner Conductor Material and Plating	Brass, Gold
Coupling Nut Material and Plating	Brass, Nickel
Body Material and Plating	Brass, Nickel
Dielectric Type	Delrin

Connector 2

Type	Mini UHF Female
Inner Conductor Material and Plating	Brass, Gold
Body Material and Plating	Brass, Nickel
Dielectric Type	Delrin

Compliance Certifications (visit www.Pasternack.com for current document)

RoHS Compliant	Yes
----------------	-----

Plotted and Other Data

Notes:	Values at 25 °C, sea level
--------	----------------------------

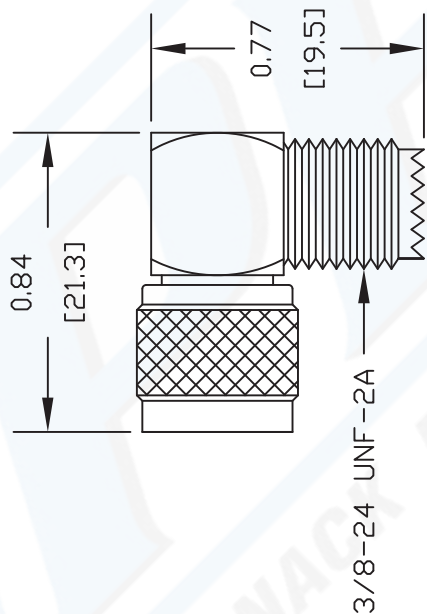
 URL: <http://www.pasternack.com/mini-uhf-male-mini-uhf-female-right-angle-adapter-pe9347-p.aspx>

Mini UHF Male to Mini UHF Female Right Angle Adapter from Pasternack Enterprises has same day shipment for domestic and International orders. Our RF, microwave and fiber optic products maintain a 99% availability and are part of the broadest selection in the industry.

The information contained in this document is accurate to the best of our knowledge and representative of the part described herein. It may be necessary to make modifications to the part and/or the documentation of the part, in order to implement improvements. Pasternack reserves the right to make such changes as required. Unless otherwise stated, all specifications are nominal.

PE9347 CAD Drawing

Mini UHF Male to Mini UHF Female Right Angle Adapter



DWG TITLE

PE9347

NOTES:
 1. UNLESS OTHERWISE SPECIFIED ALL DIMENSIONS ARE NOMINAL.
 2. ALL SPECIFICATIONS ARE SUBJECT TO CHANGE WITHOUT NOTICE AT ANY TIME.
 3. DIMENSIONS ARE IN INCHES [mm].

PASTERNAK ENTERPRISES, INC.
 P O BOX 16759, IRVINE, CA 92623
 PHONE (949) 261-1920 FAX (949) 261-7451
 WEB ADDRESS: www.pasternack.com
 E-MAIL ADDRESS: sales@pasternack.com
COAXIAL & FIBER OPTICS



REV. -

FSCM NO. 53919

CAD FILE 091702

SCALE N/A

SIZE A

127