

5

4

3

2

1

SPECIFICATIONS

INPUT POWER (AVG.) (IMPORTANT - UNIDIRECTIONAL DESIGN) 100 WATTS
 NOTE: ONLY APPLY THIS POWER TO DESIGNATED INPUT PORT
 OUTPUT PORT ONLY CAPABLE OF 20 WATTS

INPUT MAX. PEAK POWER 10-60 dB 2,500 W (3 & 6 dB 1,000 W)
 <5 μSEC. PW, <0.1% DUTY CYCLE

POWER DERATES TO 10% @ +125°C AMBIENT FROM 25°C

HEAT SINK THERMAL RISE (CALCULATED) 0.88°C/Watt

WEIGHT (MAX.) (LESS, DEPENDING ON CONNECTOR TYPES) 38 OZ. (1.1 kg)

TEMPERATURE RANGE -55°C TO +125°C

ONLY INPUT PORT CAN TAKE FULL 100 WATTS. **OUTPUT PORT 20 WATTS MAX.**

MATERIALS:
CONNECTORS (COMPLY WITH MIL-PRF-39012 & MIL-STD-348):
 HOUSING AND COUPLING NUTS ARE BRASS WITH SILVER PLATING.
 CENTER CONTACTS ARE BERYLLIUM COPPER WITH SILVER PLATING

CASE IS ALUMINUM ALLOY WITH GOLD CHROMATE PLATING

HEAT SINKS ARE ALUMINUM ALLOY, BLACK ANODIZE FINISH

INTERNAL RESISTIVE ELEMENTS ARE BERYLLIUM OXIDE CERAMIC WITH THICK FILM AND/OR THIN FILM RESISTORS

ROHS COMPLIANT DESIGN

UNIT SUPPLIED WITH MOUNTING HOLES FOR BRACKET OR MOUNTING STANDOFFS

ATTENUATION VALUES AVAILABLE:
 3, 6, 10, 20, 30 & 40 DB.
 50 DB AND 60 DB UNITS MAY BE SLIGHTLY LONGER, UP TO 100 DB IS POSSIBLE WITH LONGER OUTPUT CONNECTORS

RF ELECTRICAL SPECIFICATIONS:

ATTENUATION	DC - 2 GHz	2 - 4 GHz	4 - 6 GHz	6 - 7.5 GHz
03 DB	±0.75	±0.75	±1.00	±1.25
06 DB	±0.75	±0.75	±1.00	±1.50
10 DB	±0.75	±0.75	±1.25	±1.50
20 DB	±0.75	±0.75	±1.25	±1.75
30 DB	±0.75	±1.00	±1.50	±1.75
40 DB	±0.75	±1.25	±1.50	±2.00
50 AND 60 DB	±1.50	±2.00	±2.50	N/A

VSWR (MAX.) 1.20:1 1.35:1 1.40:1 1.50:1

PRODUCTION RELEASE

NOTE:
 THIS DRAWING INCORPORATES
 THIRD ANGLE PROJECTION.

INTERPRET IAW ANSI Y14.5-1992

REVISIONS

LTR	DESCRIPTION	DATE	APPROVED
-	RELEASED	05/15/2011	D. Saunders

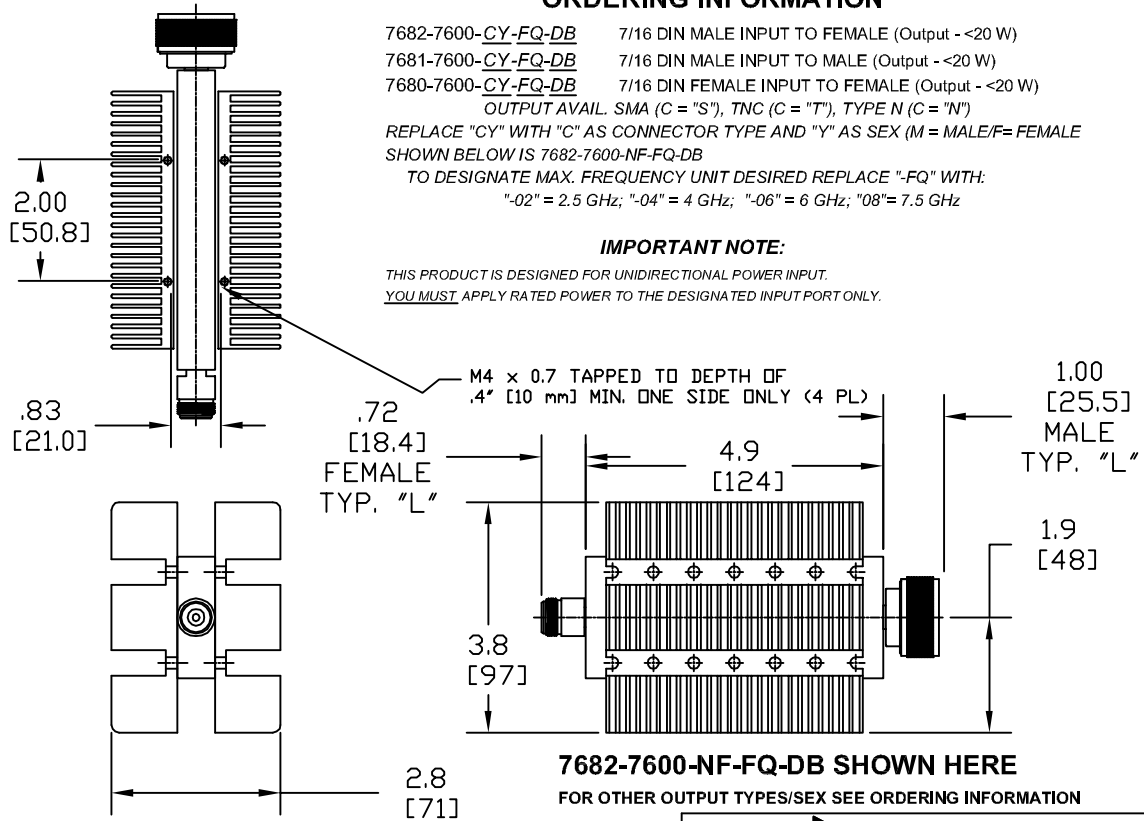
ORDERING INFORMATION

7682-7600-CY-FQ-DB 7/16 DIN MALE INPUT TO FEMALE (Output - <20 W)
 7681-7600-CY-FQ-DB 7/16 DIN MALE INPUT TO MALE (Output - <20 W)
 7680-7600-CY-FQ-DB 7/16 DIN FEMALE INPUT TO FEMALE (Output - <20 W)

OUTPUT AVAIL. SMA (C = "S"), TNC (C = "T"), TYPE N (C = "N")
 REPLACE "CY" WITH "C" AS CONNECTOR TYPE AND "Y" AS SEX (M = MALE/F= FEMALE
 SHOWN BELOW IS 7682-7600-NF-FQ-DB
 TO DESIGNATE MAX. FREQUENCY UNIT DESIRED REPLACE "FQ" WITH:
 ".02" = 2.5 GHz; ".04" = 4 GHz; ".06" = 6 GHz; ".08" = 7.5 GHz

IMPORTANT NOTE:

THIS PRODUCT IS DESIGNED FOR UNIDIRECTIONAL POWER INPUT.
 YOU MUST APPLY RATED POWER TO THE DESIGNATED INPUT PORT ONLY.



7682-7600-NF-FQ-DB SHOWN HERE
 FOR OTHER OUTPUT TYPES/SEX SEE ORDERING INFORMATION

DRAWING PRACTICES PER ANSI-Y-14.5 MIL-STD-100 & 1000	UNLESS OTHERWISE SPECIFIED DIMENSIONS ARE IN INCHES AND APPLY BEFORE/AFTER PROCESSING	TOLERANCES IN: DECIMALS INCH DIM
SURFACE ROUGHNESS INCHES	✓	.X" .1" [2.5] .XX" .05" [1.27] .XXX" .03 [0.77]
FINISH	SEE NOTES	ANGLES ±2°
MATERIAL	SEE NOTES	UNLESS OTHERWISE NOTED DIAS ON COMMON CENTERS ARE CONCENTRIC <.003 T.I.R.

DRAWN D. SAUNDERS	DATE
CHECKED	DATE
ENGINEER APPR.	DATE

THESE DRAWINGS AND SPECIFICATIONS ARE THE PROPERTY OF XMA CORP. OR OMNI SPECTRA AND SHALL NOT BE REPRODUCED, COPIED NOR USED - IN WHOLE OR IN PART - AS A BASIS FOR THE MANUFACTURE OR SALE OF OTHER ITEMS WITHOUT THE EXPRESS WRITTEN PERMISSION OF XMA CORP.

XMA Powered by:
 Omni Spectra®
 Phone: 603-222-2256 Fax: 603-222-2259
 150 Dow Street, Manchester, NH 03101

TITLE
100 WATT, DIN 7/16 INPUT, TYPE N OUT ATTENUATOR

SIZE B	CAGE CODE 3HT76	DRAWING NUMBER 7682-7600-CY-FQ-DB
SCALE 1:1	XXX	SHEET 1 OF 1

5

4

3

2

1

BCS1