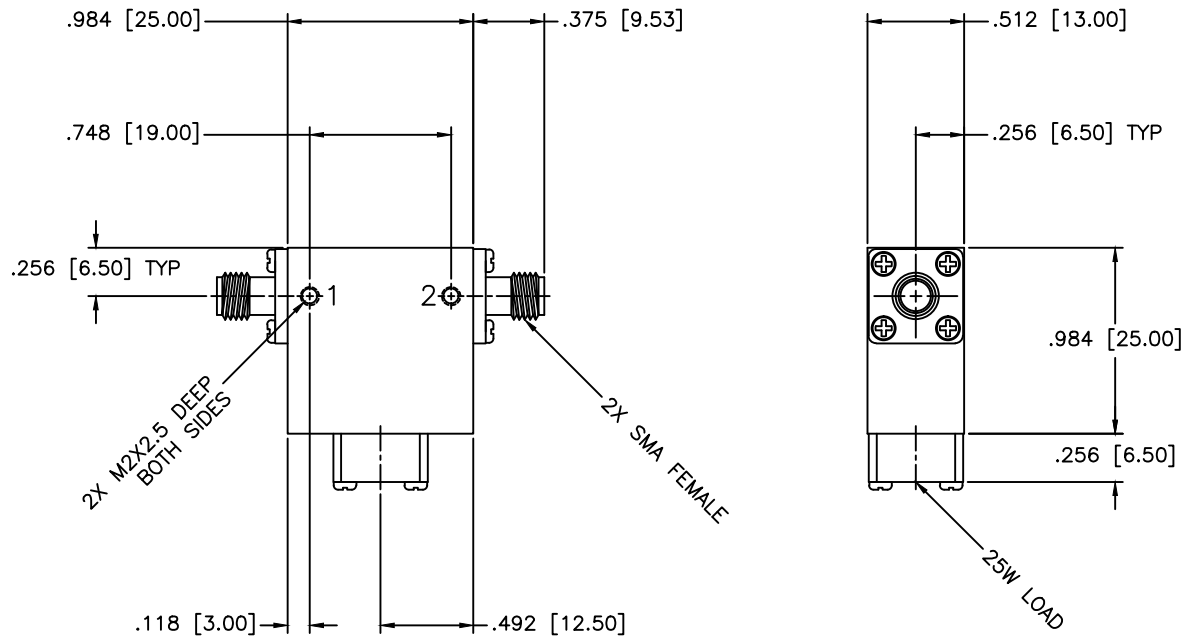


REVISIONS				
ZONE	REV	DESCRIPTION	Date	APPROVED



SPECIFICATIONS

Frequency Range: 2.5–2.7 GHz
 Isolation: 20dB Min.
 Insertion loss: 0.4dB Max.
 VSWR: 1.22:1 Max.
 Power Avg: 25 Watts
 Operating Temperature: -10°C to +65°C

MATERIAL:	
DRAWN: Paiboon Luekhamhan	DATE: 03-31-2008
APPROVED: T. Nguyen	DATE: 03-31-2008

	MICROWAVE COMMUNICATIONS LABORATORIES INC. 7255 30TH AVE. N. SAINT PETERSBURG, FL 33710 TEL: (727) 344-6254 FAX: (727) 381-6116 http://WWW.MCLI.COM		SCALE:	N/A
	UNLESS OTHERWISE SPECIFIED: TOLERANCES IN (INCHES) OR [mm] (MILLIMETERS) FRACTIONS: ± 1/64 DECIMALS: ±.01 ±.005 ANGLE: ±1/2°		SHEET:	N/A
DRAWING TITLE: COAXIAL ISOLATOR 25 WATTS		PART NO.: ISN-8		
PROPRIETARY NOTICE: THE INFORMATION IN THIS DRAWING IS PROPRIETARY AND SHALL NOT BE USED OR DISCLOSED WITHOUT WRITTEN PERMISSION FROM MICROWAVE COMMUNICATIONS LABORATORIES INC. (MCLI)		CAGE CODE:	SIZE: N/A	REV: N/A
THIRD ANGLE PROJECTION 		OD2L5	DWG NO.: 82811	
DO NOT SCALE THE DRAWING				