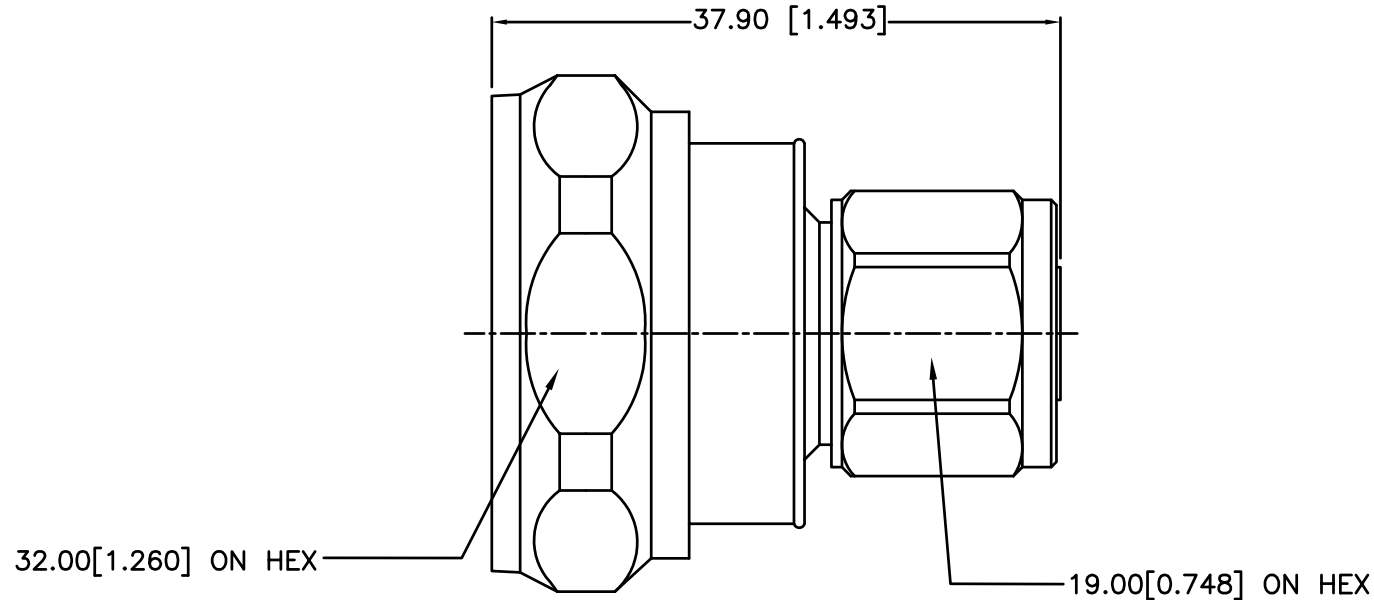


REV.	DATE	ECR NO.	DESCRIPTION
NC	06/13/99	----	INITIAL RELEASE
A	03/27/08	----	UPDATED DRAWING FORMAT
B	26/10/10	2116	UPDATED DRAWING AS PER FUYANG PRINT



**1. ELECTRIC PERFORMANCE**

NOMINAL IMPEDANCE(Ω)	:	50
FREQUENCY RANGE	:	DC-3GHz
VSWR	:	≤1.10
INSERT LOSS(dB)	:	≤0.10
PIM (dBc)	:	≤-160
INSULATION RESISTANCE(MΩ)	:	>5000
PROOF VOLTAGE (V)	:	2500
CONDUCTOR RESISTANCE(MΩ)	:	OUTER CONDUCTOR<0.2 INNER CONDUCTOR<0.8

**3. ENVIRONMENT**

TEMP.RANGE	:	-55°C TO +155°C
WEATHER STANDARD	:	IEC 60068 55 / 155/ 56
THERMAL SHOCK	:	US MIL-STD 202.METH.107,COND.B
VIBRATION	:	US MIL-STD 202.METH.204,COND.B
SHOCK	:	US MIL-STD 202.METH.213,COND.I
ROHS COMPLIANT.	:	

**2. MECHANICAL PERFORMANCE**

NUT TORQUE	:	7 18:25N.m N:5N.m
MECHANICAL WEAR(HYPO-)	:	500

				UNLESS OTHERWISE SPECIFIED DIMENSIONS ARE IN MILLIMETERS. DIMENSIONS IN [ ] ARE IN INCHES AND FOR CUSTOMER REFERENCE ONLY.	APPROVALS	DATE	AMPHENOL CONNEX					
				UNLESS OTHERWISE SPECIFIED TOLERANCES FOR MILLIMETERS ARE: 0.5 - 8mm ± 0.20mm 8 - 30mm ± 0.40mm 30 - 120mm ± 0.50mm  UNLESS OTHERWISE SPECIFIED TOLERANCES FOR INCHES ARE: .020 - .315 = ± 0.007" .315 - 1.180 = ± 0.015" 1.180 - 4.724 = ± 0.020"	DRAWN	CLEMENT					26/10/10	PART DESCRIPTION <b>N PLUG TO 7/16 PLUG ADAPTOR</b>
6					CHECKED			PART NO. <b>242138</b>				
5				ISSUED			DWG. NO. 242138.DWG					
4	INSULATOR	PTFE	NATURAL	1	SHEET	1 OF 1					REV.	B
3	NUT	BRASS	NICKEL	1	CAD FILE		C:/242/242138.DWG					
2	OUTER CONDUCTOR	BRASS	NEXCOTE	1	DO NOT SCALE DRAWING							
1	INNER CONDUCTOR	SPRING COPPER	SILVER	1								
DESCRIPTION				MATERIAL	FINISH	QTY						