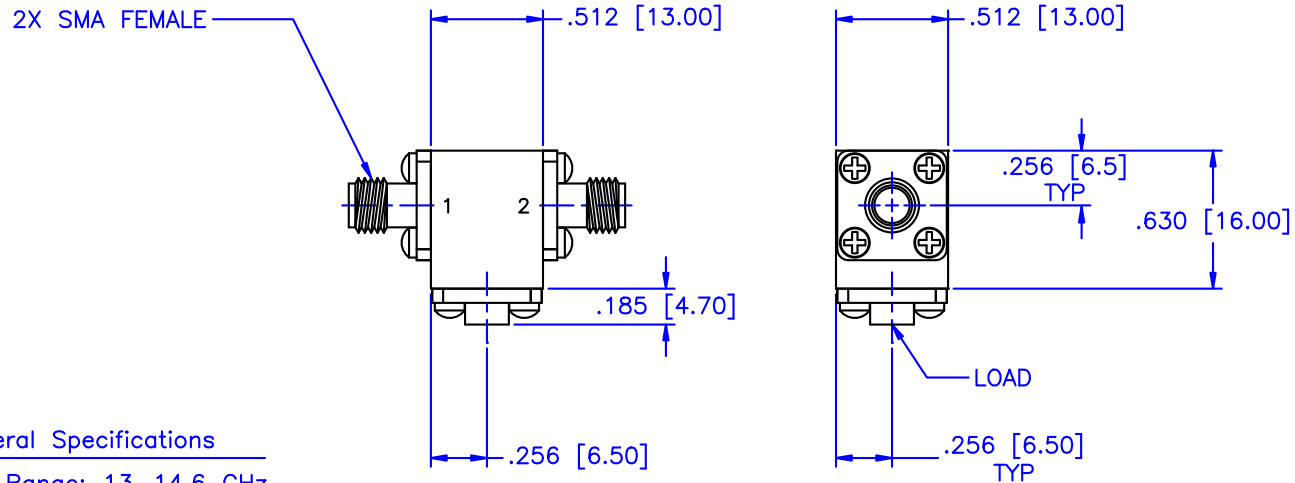


REVISIONS				
ZONE	REV	DESCRIPTION	Date	APPROVED



General Specifications

Frequency Range: 13–14.6 GHz
 Isolation: 23dB Min.
 Insertion loss: 0.35dB Max.
 VSWR: 1.15:1 Max.
 Average Power: 1 Watt

Environmental

Operating Temperature: –25°C to +80°C
 Storage Temperature: –55°C to +95°C
 Vibrations: 20 G's
 Shock: 100 G's
 Humidity: 90%
 Weight: 19 Grams (Typ.)

MATERIAL:		MCLI MICROWAVE COMMUNICATIONS LABORATORIES INC. 7255 30TH AVE. N. SAINT PETERSBURG, FL 33710 TEL: (727) 344-6254 FAX: (727) 381-6116 http://WWW.MCLI.COM		SCALE:	N/A		
		UNLESS OTHERWISE SPECIFIED: TOLERANCES IN (INCHES) OR [mm] (MILLIMETERS) FRACTIONS: ± 1/64 DECIMALS: ±.01 ±.005 ANGLE: ±1/2°		DRAWING TITLE:	COAXIAL ISOLATOR		
DRAWN:	DATE:	PROPERTY NOTICE: THE INFORMATION IN THIS DRAWING IS PROPRIETARY AND SHALL NOT BE USED OR DISCLOSED WITHOUT WRITTEN PERMISSION FROM MICROWAVE COMMUNICATIONS LABORATORIES INC. (MCLI)		PART NO.	IS-140		
APPROVED:	DATE:			CAGE CODE:	SIZE:	REV:	DWG NO.
Paiboon Luekhamhan	05-19-2011	THIRD ANGLE PROJECTION		OD2L5	N/A	N/A	85690
T. Nguyen	05-19-2011			DO NOT SCALE THE DRAWING			