

WR28 TERMINATION 26.5-40 GHZ

STWR28

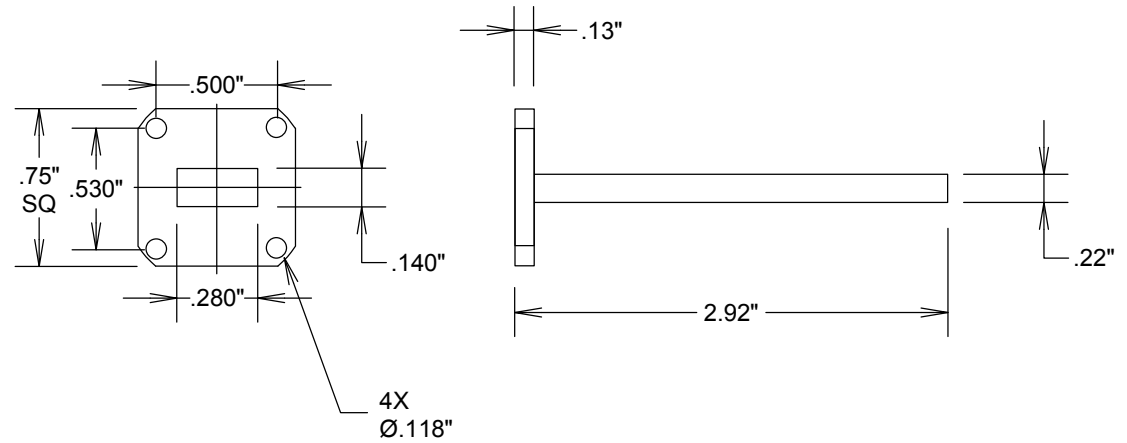
SPECIFICATIONS

ELECTRICAL:

FREQUENCY: 26.5-40 GHZ
VSWR: 1.05:1
POWER HANDLING: 0.5 WATTS

MATERIALS:

BODY: Cu



FAIRVIEW MICROWAVE INC.

ALLEN, TX 75013 WWW.FAIRVIEWMICROWAVE.COM

TITLE

WR28 TERMINATION 26.5-40 GHZ

SIZE	CAGE CODE	DWG NO	STWR28	REV
A	3FKR5			A
SCALE			SHEET	

ALL DIMENSIONS IN inches(MM) Typical