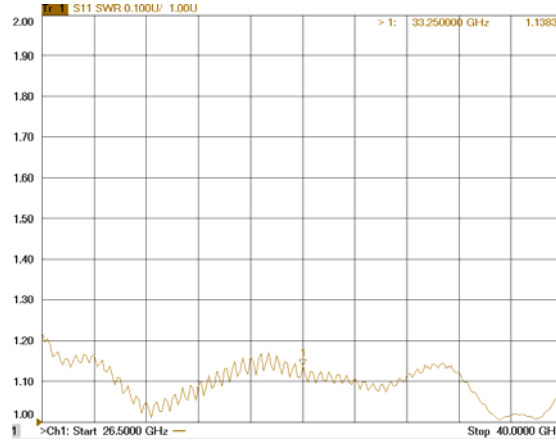


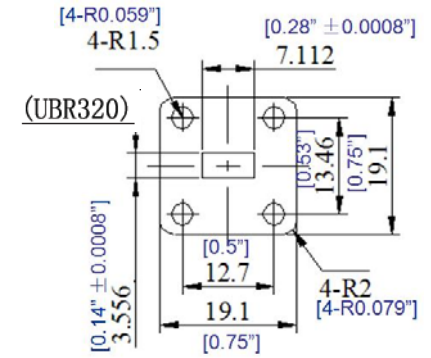
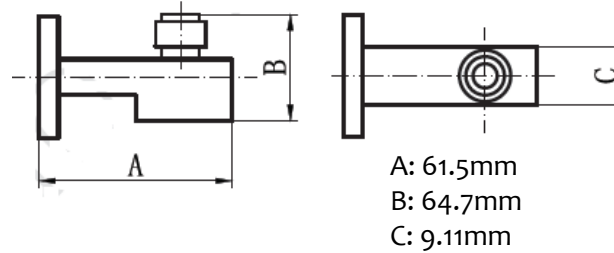
# WAVEGUIDE TO 2.4mm ADAPTER --- RFWA28W

1.0 Mechanical Specifications		
1.1	Waveguide type	Rectangular Waveguide WR28
1.2	Flange type	CPRG, CPRF, COVER, CHOKE available
1.3	Flange Holes	Through
1.4	Basis-material	Brass (standard) , Aluminum Alloyed Cuprum, Stainless (option)
1.5	Coaxial Connector	2.40mm (Male or Female)
1.6	Internal Body Finish	Gold Plated Au2 Cu2
1.7	External Body Finish	Body painted with gray/black epoxy enamel

2.0 Environment specifications		
2.1	Operation Temp.	-40°C~+85°C
2.2	Storage Temp.	-50°C~+125°C
2.3	Altitude	45000 ft
2.4	Vibration	10g rms (15 degree 2KHz)
2.5	Humidity	100% RH at 35c, 95%RH at 40 deg c
2.6	Shock	20G for 11msec



3.0 Electrical Specifications		
3.1	Frequency	26.5 ~40.0GHz (90 degree) 20% (0 Degree End Launch)
3.2	Insertion Loss	0.55dB (90 degree) 0.8dB (0 degree)
3.2	Max. VSWR	1.30:1

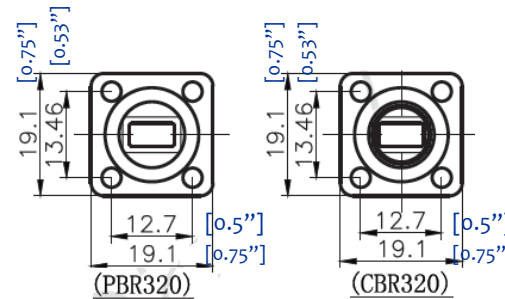


**Part Number:** RF WA 28 W 9 CO BS

RF-Lambda \_\_\_\_\_  
Waveguide \_\_\_\_\_  
Adapter \_\_\_\_\_  
Waveguide Type Number \_\_\_\_\_

**Connector Type:** A=SMA, E=K (2.99mm) W=2.4mm \_\_\_\_\_  
**Degree:** 9=90° or 0=0° \_\_\_\_\_

**Flange Type:** CG=CPRG; CF=CPRF; CO=COVER; CK=CHOKE \_\_\_\_\_  
**Material:** AL=Aluminum; BS=Brass; AC=Alloyed Cuprum; SS=Stainless \_\_\_\_\_



PAGE 1 OF 1		DATE
<small>PROPRIETARY INFORMATION THE INFORMATION CONTAINED IN THIS DOCUMENT IS THE PROPERTY OF RF-LAMBDA EXCEPT AS SPECIFICALLY AUTHORIZED IN WRITINGS BY RF-LAMBDA. THE HOLDER OF THIS DOCUMENT SHALL KEEP ALL INFORMATION CONTAINED HEREIN CONFIDENTIAL AND SHALL PROTECT SAME IN THE WHOLE OR IN PART FROM DISCLOSURE AND DISSEMINATION OF ALL THIRD PARTIES AND SHALL USE SAME FOR OPERATING AND MAINTENANCE PURPOSES ONLY</small>		Jun 2 <sup>nd</sup> 2005
		DESIGN
<b>RFWA28W</b> <b>WAVEGUIDE TO</b> <b>2,4mm</b> <b>ADAPTER</b>		RFPC
<small>www.rflambda.com</small>		RF-LAMBDA
<small>SIZE LT</small>		RFPC
<small>SHEETS</small>		CAD MODEL REVISION
<small>1 OF 1</small>		19
		ASSEMBLY REVISION
		V552
		ASSEMBLY NAME
		RFLVR16
		DRAWING NUMBER
		D05-3