



75 Ohm F Male Connector Crimp/Crimp Attachment For RG59, RG62, 3 Pieces Connector

TECHNICAL DATA SHEET

PE44317

75 Ohm F Male Connector Crimp/Crimp Attachment For RG59, RG62, 3 Pieces Connector

Configuration

Connector	F Male
Connector Interface Type	RG59, RG62
Cable Attachment Method (Shield/Contact)	Crimp/Crimp
Body Style	Straight

Electrical Specifications

Impedance, Ohms	75
-----------------	----

Mechanical Specifications

Size

Length, in [mm]	1.123 [28.52]
Width/Dia., in [mm]	0.433 [11]
Weight, lbs [g]	0.013 [5.9]

Connector

Type	F Male
Contact Material and Plating	Brass, Gold
Coupling Nut Material and Plating	Brass, Nickel
Hex Size, in	7/16
Body Material and Plating	Brass, Nickel
Dielectric Type	Delrin

Compliance Certifications (visit www.Pasternack.com for current document)

RoHS Compliant	Yes
----------------	-----

Plotted and Other Data

Notes: Values at 25 °C, sea level

URL: <http://www.pasternack.com/f-male-standard-rg59-rg62-connector-pe44317-p.aspx>

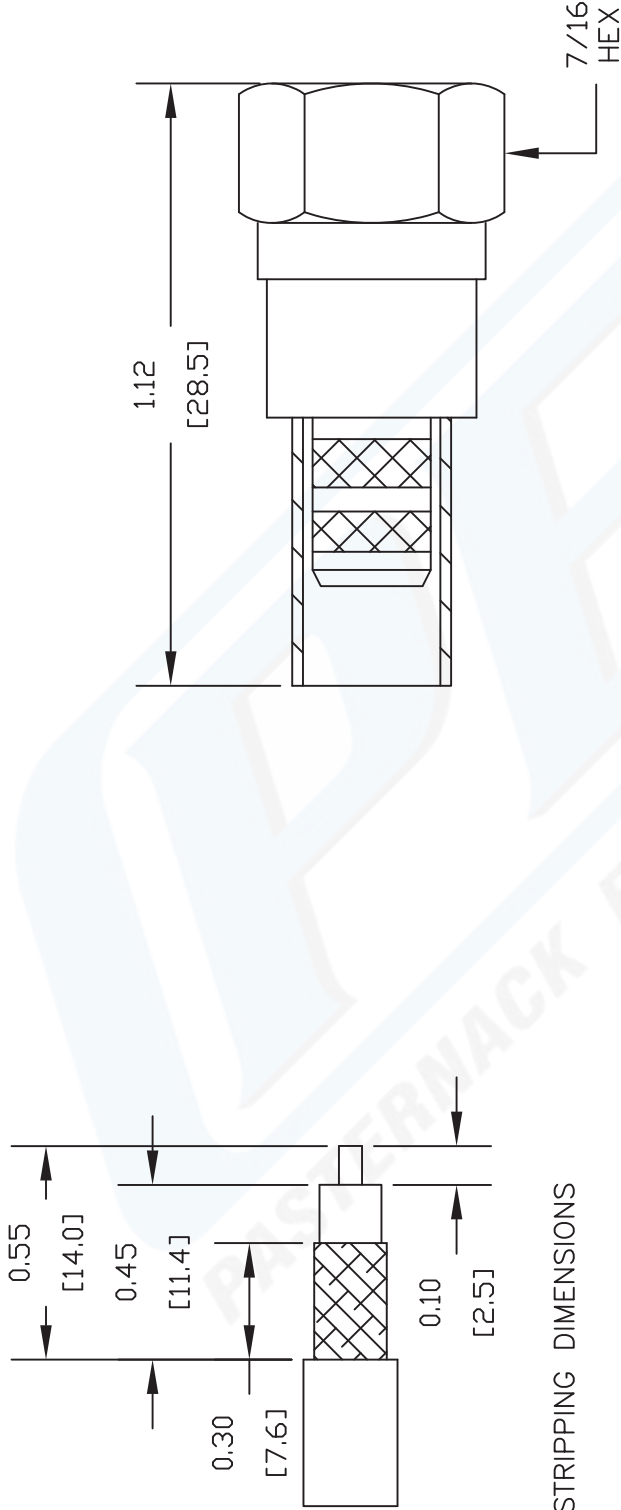
75 Ohm F Male Connector Crimp/Crimp Attachment For RG59, RG62, 3 Pieces Connector from Pasternack Enterprises has same day shipment for domestic and International orders. We maintain 99% availability of the industry's broadest selection of RF, microwave and fiber optic products.

The information contained in this document is accurate to the best of our knowledge and representative of the part described herein. It may be necessary to make modifications to the part and/or the documentation of the part, in order to implement improvements. Pasternack reserves the right to make such changes as required. Unless otherwise stated, all specifications are nominal.



PE44317 CAD Drawing

75 Ohm F Male Connector Crimp/Crimp Attachment For RG59, RG62, 3 Pieces Connector



STRIPPING DIMENSIONS

CRIMP SIZE REQUIRED

CONTACT: .068" HEX CRIMP TOOL
 FERRULE: .255" HEX CRIMP TOOL

DWG TITLE

PE44317

- NOTES:
1. UNLESS OTHERWISE SPECIFIED ALL DIMENSIONS ARE NOMINAL.
 2. ALL SPECIFICATIONS ARE SUBJECT TO CHANGE WITHOUT NOTICE AT ANY TIME.
 3. DIMENSIONS ARE IN INCHES [mm].
 4. FITS MIL-C-17 AND EQUIVALENT CABLES.

REV. -

FSCM NO. 53919

CAD FILE 111003

SCALE N/A

SIZE A

127



PASTERNAK®
 Pasternack Enterprises, Inc.
 P.O. Box 16759 | Irvine | CA | 92623
Phone: (949) 261-1920 | **Fax:** (949) 261-7451
Website: www.pasternack.com | **E-Mail:** sales@pasternack.com