

5

4

3

2

1

ELECTRICAL

FREQUENCY RANGE _____ DC-2.5, 6, 12.4 or 18GHz

VSWR

DC - 6GHz _____ 1.20:1 MAX
6 - 12.4GHz _____ 1.30:1 MAX
12.4 - 18GHz _____ 1.40:1 MAX

INPUT POWER _____ 25 WATTS AVG. @ 25°C

DERATED LINEARLY TO 5 WATTS @ 125°C

PEAK POWER _____ 500 WATTS

(5 uSec PULSE, .05% DUTY CYCLE)

IMPEDANCE _____ 50 OHMS

OPERATING TEMP RANGE _____ -65°C TO +125°C

MECHANICAL

TYPE N CONNECTORS _____ PASSIVATED STAINLESS STEEL
CONDUCTORS _____ GOLD PLATED BERYLLIUM COPPER
HOUSING _____ BLACK ANODIZED ALUMINUM

ORDERING INFORMATION

3001-6525-FQ, REPLACE "-FQ" WITH
-02 FOR 2.5 GHz
-06 FOR 6 GHz
-12 FOR 12.4 GHz
-18 FOR 18 GHz

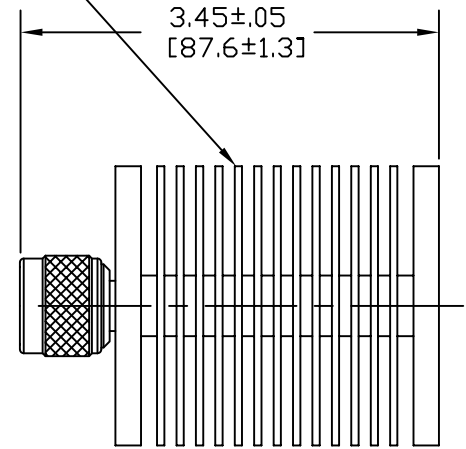
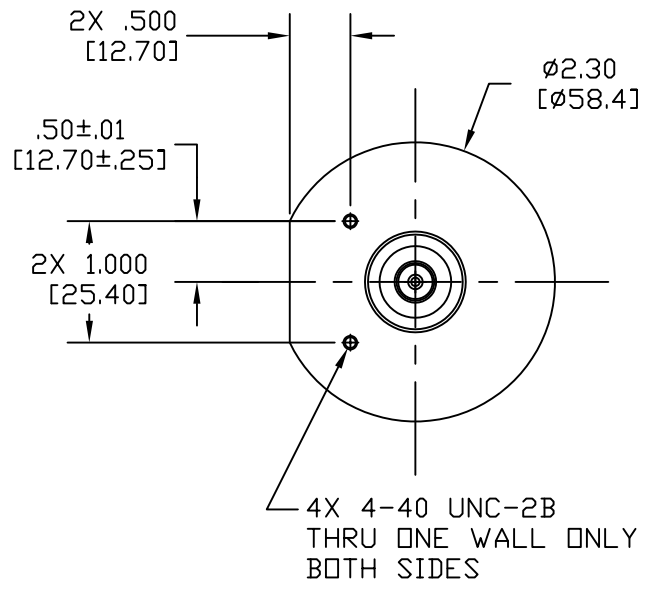
**PRODUCTION
RELEASE**

NOTE:
THIS DRAWING INCORPORATES
THIRD ANGLE PROJECTION.
INTERPRET IAW ANSI Y14.5-1992

REVISIONS

LTR	DESCRIPTION	DATE	APPROVED
-	INITIAL RELEASE	2/10/12	T. KUHN

QUANTITY OF HEATSINK FINS, THICKNESS AND FIN SPACING MAY VARY WITHOUT NOTICE. BASIC SHAPE & OTHER PARAMETERS SHALL REMAIN AS DIMENSIONED.



DRAWING PRACTICES PER ANSI-Y-14.5 MIL-STD-100 & 1000	
DIMENSIONS ARE IN INCHES AND APPLY BEFORE/AFTER PROCESSING	
SURFACE ROUGHNESS	63 ✓
FINISH SEE NOTES	
MATERIAL SEE NOTES	

UNLESS OTHERWISE SPECIFIED	
TOLERANCES IN:	
DECIMALS	INCH MM
.X"	.05" [.76]
.XX"	.030" [.25]
.XXX"	.010 [.127]
.XXXX"	.0005" [.013]
ANGLES ±0°30'	
REMOVE ALL BURRS/SHARP W/ BREAK / R OF .003" TO .0005" UNLESS OTHERWISE NOTED DIAS CONCENTRIC <.003 T.I.R.	

DRAWN	T. KUHN	DATE	2/10/12
CHECKED	A. GAGNE	DATE	2/10/12
ENG.	T. KUHN	DATE	2/10/12
THESE DRAWINGS AND SPECIFICATIONS ARE THE PROPERTY OF XMA CORP. OR OMNI SPECTRA AND SHALL NOT BE REPRODUCED, COPIED NOR USED - IN WHOLE OR IN PART - AS A BASIS FOR THE MANUFACTURE OR SALE OF OTHER ITEMS WITHOUT THE EXPRESS WRITTEN PERMISSION OF XMA CORP.			

XMA Omni Spectra™
150 Dow Street, Manchester, NH 03101
P:603-222-2256 F:603-222-2259

OUTLINE DRAWING
25 W TERM, TYPE N MALE

SIZE	CAGE CODE	DRAWING NUMBER
B	3HT76	3001-6525-FQ
SCALE	PLATED AREA	SHEET 1 OF 1
1:1	XXX	

5

4

3

2

1

BCSI