

5

4

3

2

1

SPECIFICATIONS

ELECTRICAL

FREQUENCY RANGE _____ DC TO 18 GHz

ATTENUATION (FREQ. IN GHz)	DC-12.4	DC-18
0-6 dB	±0.3 dB	±0.5 dB
7-12, 15 & 20 dB	±0.5 dB	±0.75 dB
30 & 40 dB	±0.75 dB	±1.00 dB

VSWR(MAX)	DC - 4 GHz	1.15:1
	4 - 12.4 GHz	1.25:1
	12.4 - 18 GHz	1.40:1

POWER _____ 10 WATTS (AVG)*
Derates Linearly from +25°C to 10% at +125°C

POWER, PEAK _____ 500 WATTS**
** 5µSecond PULSE WIDTH, 0.2% DUTY CYCLE

IMPEDANCE: _____ 50 OHMS

OPERATING TEMP RANGE _____ -65 TO +125°

ENVIRONMENTAL CAPABILITIES PER MIL-DTL-3933A/16 TYPE DEVICES

Materials

Outer Conductor: Passivated Stainless Steel IAW ASTM A484 & A582, Class 303

Heat Sink: Black Anodized Aluminum

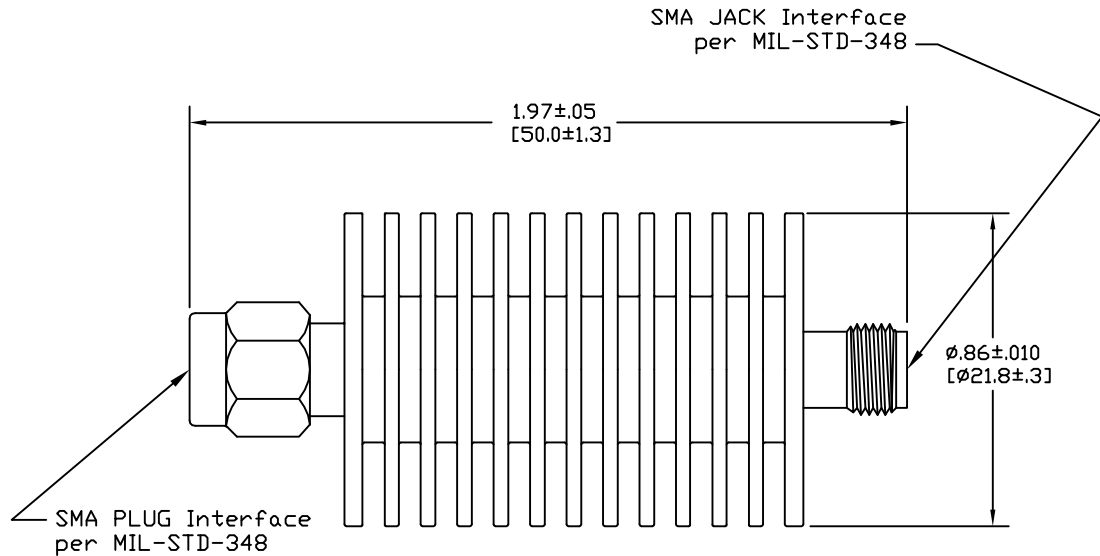
Center Conductor: Gold Plated (ASTM-B488/MIL-PRF-39012) Beryllium Copper per ASTM B196 & B197

Dielectric: Teflon (PTFE) per ASTM D1710.

Attenuator Card: Proprietary Thin film, Passivation Protected, on Aluminum Nitride Ceramic Hybrid

Weight: 0.86 oz./24.4 grams Max.

REVISIONS				
REV	DESCRIPTION	ECD #	DATE	APPROVED
-	RELEASE	13-268	11/04/13	T. KUHN
A	.086" WAS .088"	14-150	4/9/14	T. KUHN



NUMBER OF HEATSINK FINS
MAY VARY WITH LOTS

DRAWING PRACTICES PER ANSI-Y-14.5 MIL-STD-100 & 1000	UNLESS OTHERWISE SPECIFIED TOLERANCES IN:	DRAWN	DATE
DIMENSIONS ARE IN INCHES AND APPLY BEFORE/AFTER PROCESSING	DECIMALS INCH DWG	V. SHELBY	11/04/13
SURFACE FINISH 63 ✓	.X" .05" [1.27]	CHECKED	DATE
FINISH SEE NOTES	.XX" .03" [.76]	T. KUHN	11/04/13
MATERIAL: SEE NOTES	.XXX" .010" [.25]	ENG APPR.	DATE
NOTE: THIS DRAWING INCORPORATES THIRD ANGLE PROJECTION.	ANGLES ±0°30'	T. KUHN	11/04/13
INTERPRET IAW ANSI Y14.5-1982	REMOVE ALL BURRS/SHARP W/ BREAK / R OF .003" TO .0005" UNLESS OTHERWISE NOTED DIAS CONCENTRIC <.003 T.I.R.	THESE DRAWINGS AND SPECIFICATIONS ARE THE PROPERTY OF XMA CORP. OR OMNI SPECTRA AND SHALL NOT BE REPRODUCED, COPIED NOR USED - IN WHOLE OR IN PART - AS A BASIS FOR THE MANUFACTURE OR SALE OF OTHER ITEMS WITHOUT THE EXPRESS WRITTEN PERMISSION OF XMA CORP.	

DO NOT SCALE PRINT

SIZE	CAGE CODE	DRAWING NUMBER	REV
B	3HT76	2082-6502-dB	A

XMA Powered by: Omni Spectra®
 Phone: 603-222-2256 Fax: 603-222-2259
 150 Dow Street, Manchester, NH 03101

SMA FIXED COAXIAL ATTENUATOR, DC-18 GHz

SCALE	3:1	PLATED AREA SQ. IN	XXX	SHEET	1 OF 1
-------	-----	--------------------	-----	-------	--------

5

4

3

2

1