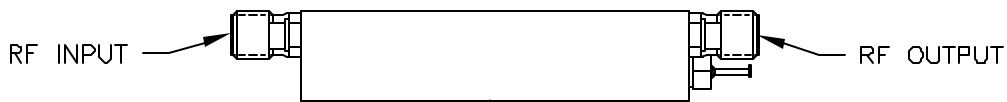
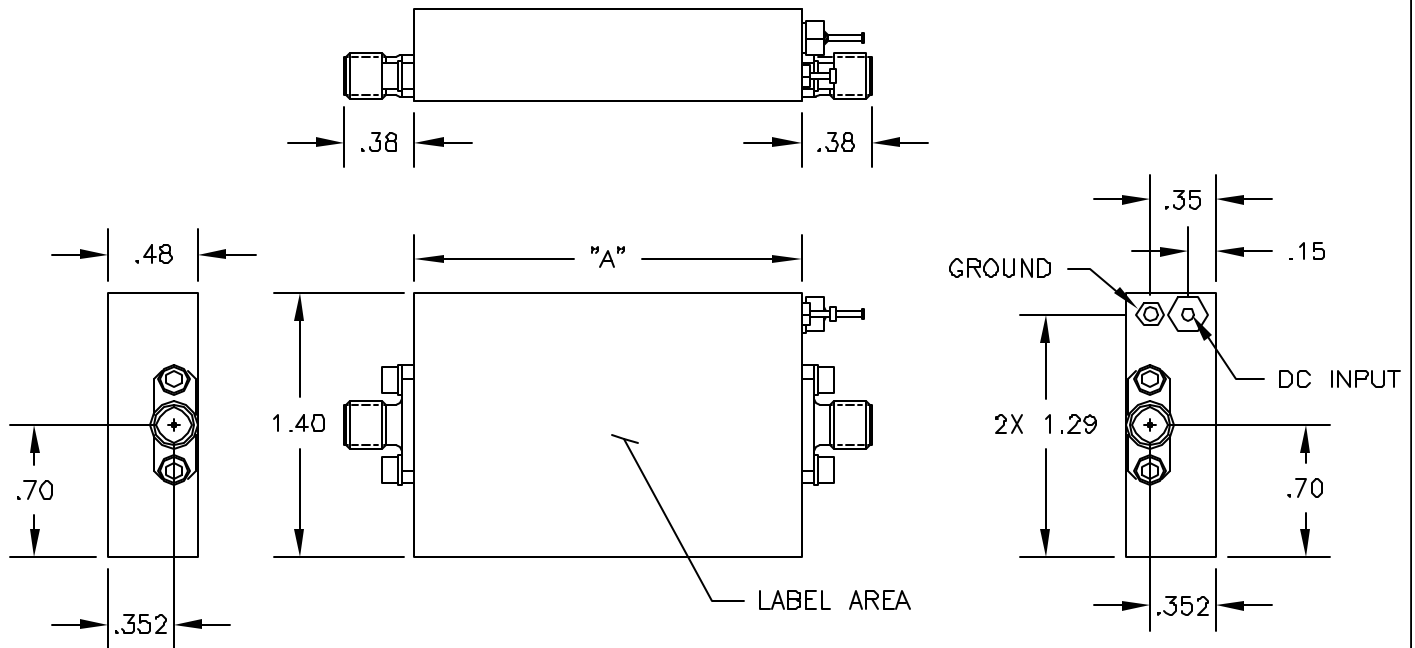
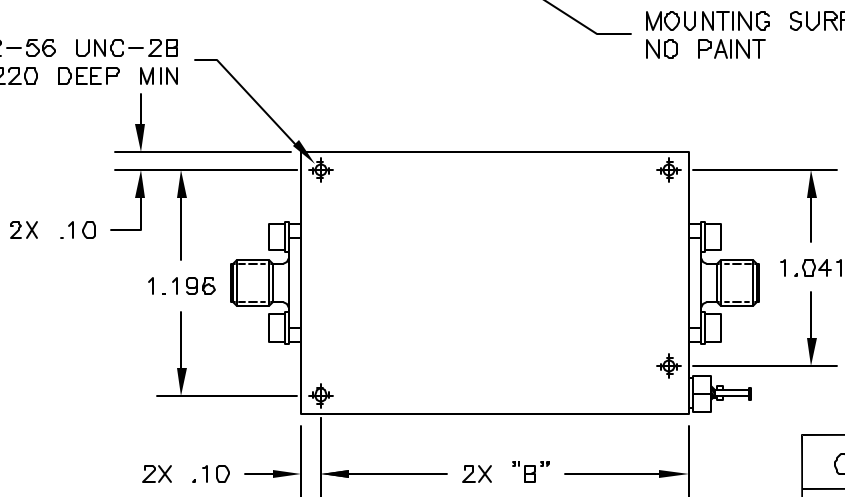


REVISIONS			
REV	DESCRIPTION	DATE	APPROVED



4X #2-56 UNC-2B  
X .220 DEEP MIN



CASE	"A" DIM	"B" DIM
P-4	2.050	1.850
P-4D	2.298	2.098
P-6	2.546	2.346

NOTES, UNLESS OTHERWISE SPECIFIED:

1. ALL TOLERANCES ARE BEFORE PAINT AND LABELING.
2. TOLERANCES ARE: XX ± .020  
XXX ± .010
3. RF CONNECTORS ARE SMA FEMALE.
4. INTERPRET DRAWING PER ASME Y14.5M-1994.

<b>ALDETEC INC.</b>			
TITLE <b>P SERIES CASES</b>			
SIZE <b>A</b>	FSCM NO.	DWG NO. <b>XXX</b>	REV <b>—</b>