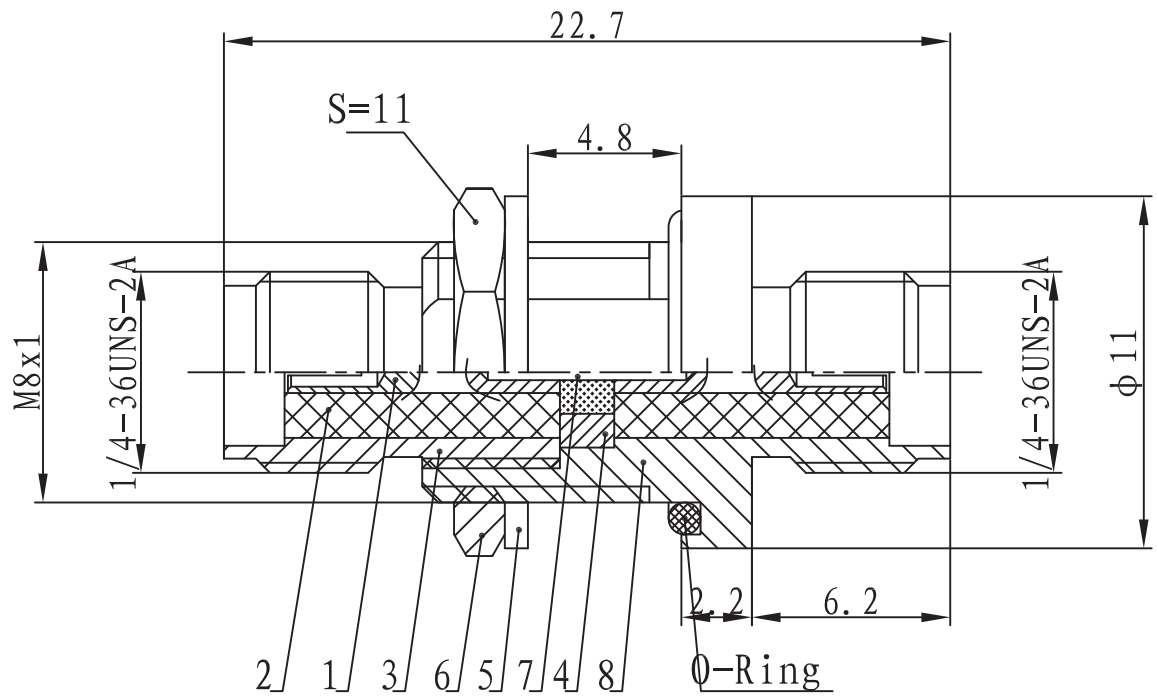
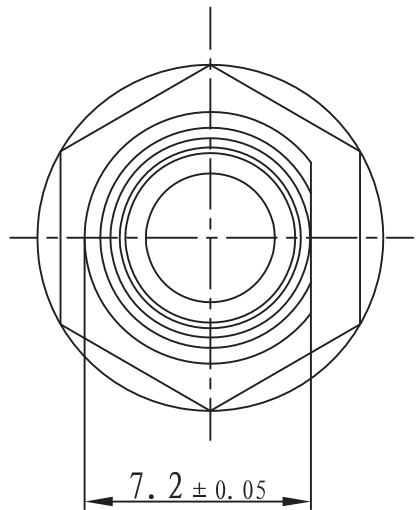


| | | | |
|-----|----------|------|------|
| No. | Revision | Date | Name |
| △ | | | |
| △ | | | |

D
C
B
A



| Item | Materials | Plating |
|-------------------|-----------|---------|
| 1. Center Contact | QBe | Gold |
| 2. Body | Brass | Gold |
| 3. Insulation | Teflon | - |
| 4. Gasket | 4J29 | - |
| 5. Gasket | QSn | - |
| 6. Nut | Brass | Gold |
| 7. Center Contact | 4J29 | Gold |
| 8. Body | Brass | Gold |

Vacuum leak rate: 1x10(-8) Pa.cm(3)/s.

SMA Female to SMA Bulkhead Female Hermetic Adapter

CUSTOMER

| NO. | DESCRIPTION | Q'TY | MATERIAL | FINISH | REMARKS. |
|----------|-------------|-----------------------|----------|----------------------------------|----------|
| PARTS No | | NAME | | APPROVED | |
| | | SMA BH J - J HERMETIC | | J LEE | |
| MATERIAL | | FINISH | | TOLERANCES | |
| | | | | OTHERWISE SPEC. ±0.05 ANGLES ±1° | |
| SCALE | | UNIT | | DESIGNED | |
| | | mm | | J LEE | |
| DWG NO. | | DATE. | | 20-804-H02 | |
| | | JUN 24, 2013 | | | |

Cross RF
web: www.crossrf.com